

AUDIO-VIDEO STEREO RECEIVER

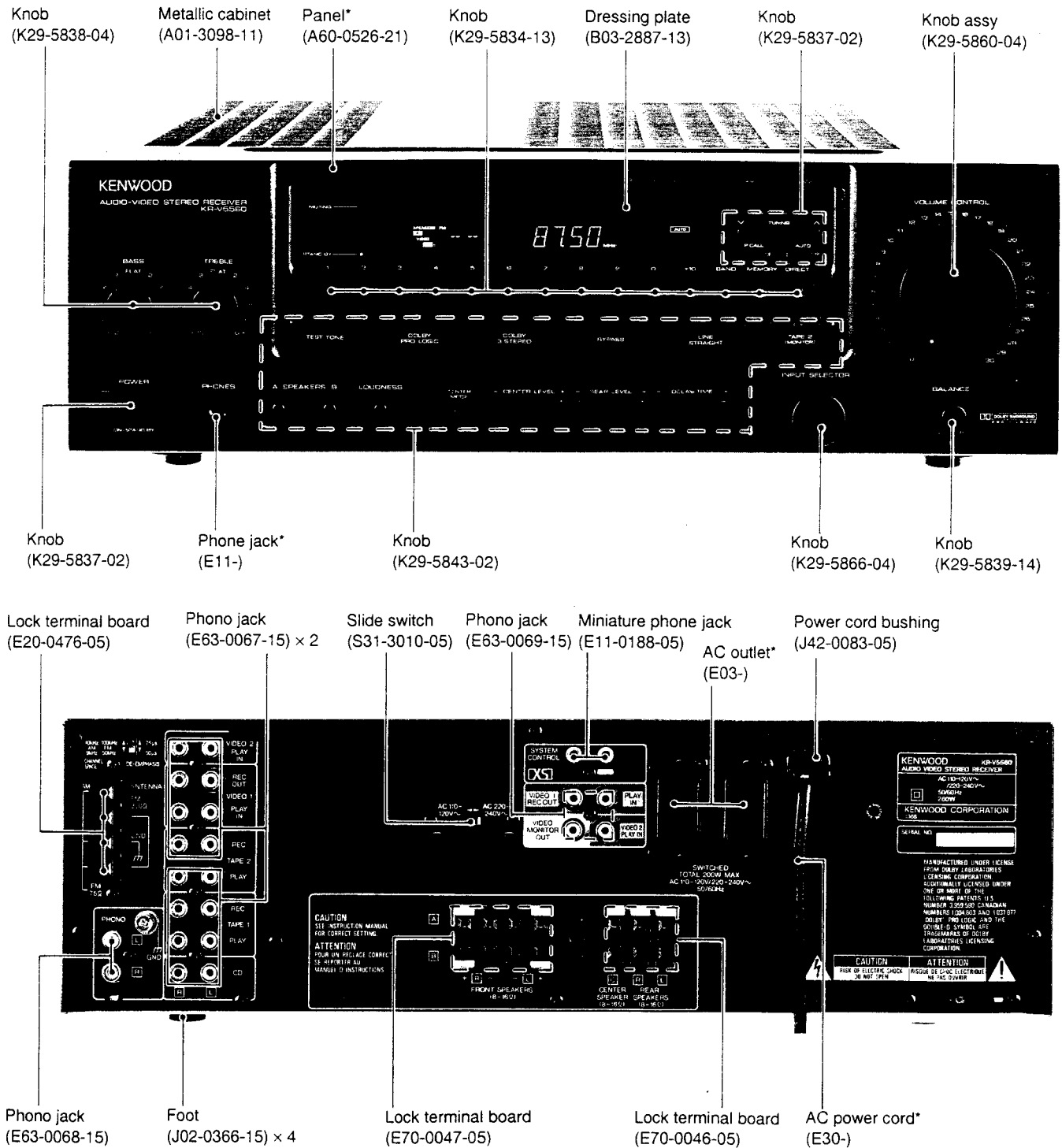
KR-694/V5560/V6060

SERVICE MANUAL

KENWOOD

© 1994-1 PRINTED IN JAPAN
B51-4842-00(S) 3457

KR-V5560(KR-694 same as KR-V5560 without Model name.)



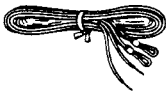


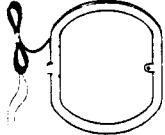

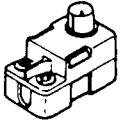
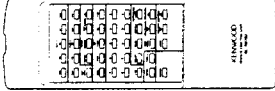
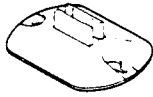
*Refer to parts list on page 51.

KR-694/V5560/V6060

CONTENTS

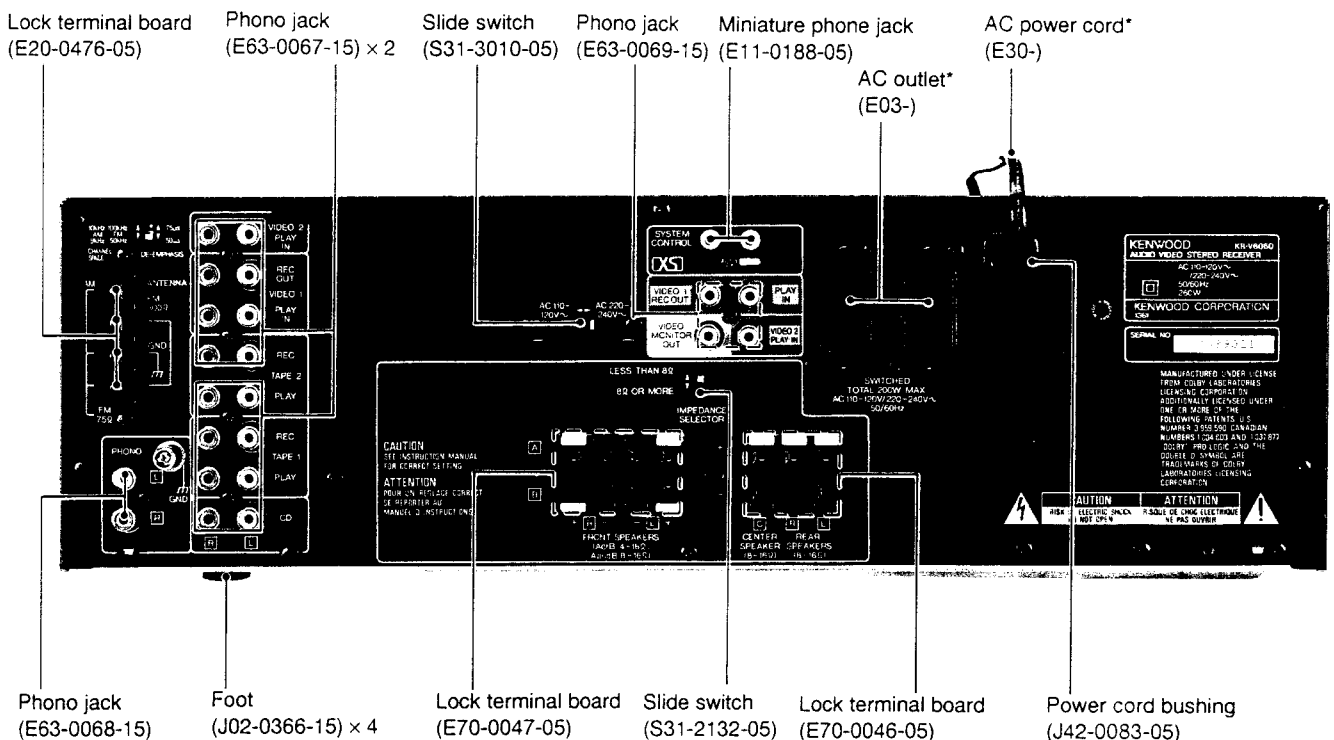
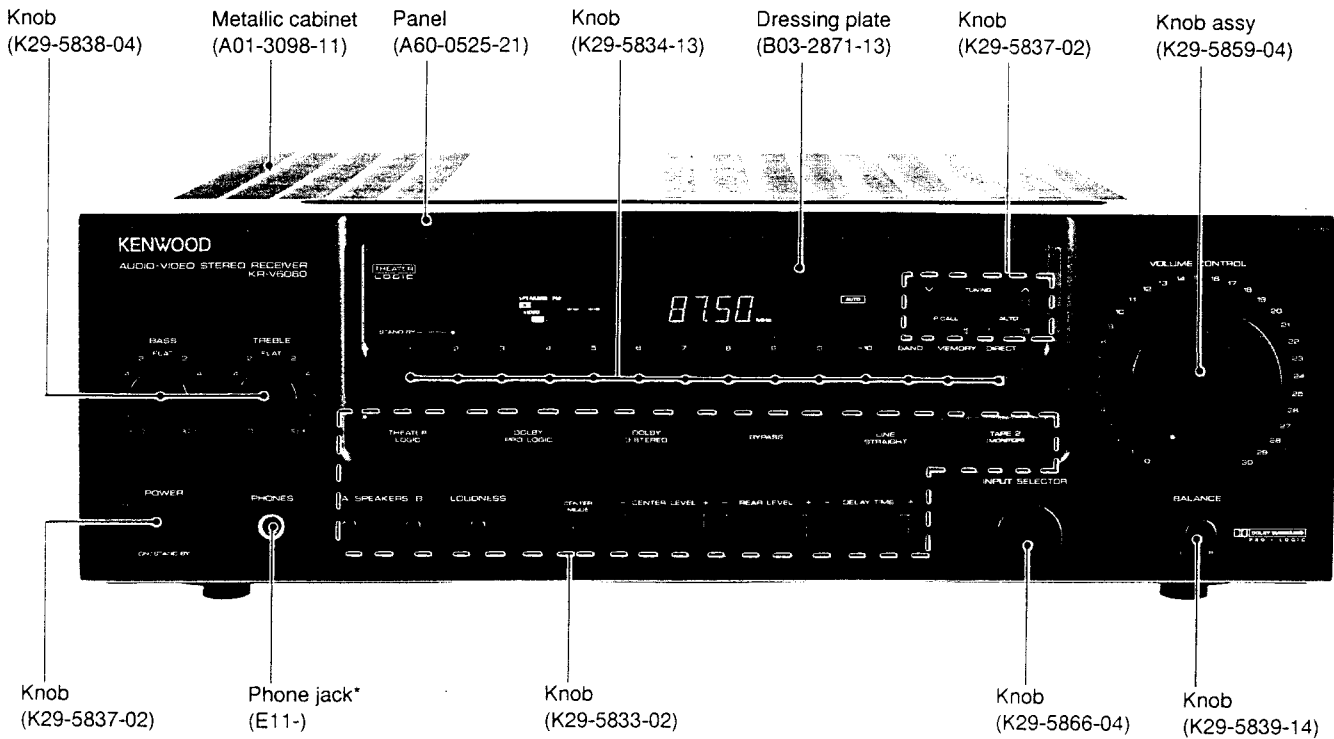
ACCESSORIES	2	WIRING DIAGRAM	23
REMOTE CONTROL UNIT	5	PC BOARD(Component side view)	25
DISASSEMBLY FOR REPAIR	8	SCHEMATIC DIAGRAM	33
BLOCK DIAGRAM	9	EXPLODED VIEW	49
CIRCUIT DESCRIPTION	11	PARTS LIST	51
ADJUSTMENT	20	SPECIFICATIONS	62

ACCESSORIES

<p>FM indoor antenna(1) (T90-0175-05)</p> 	<p>AC plug adaptor(1) (E03-0115-05):M</p> 	<p>Remote control unit(1) [KR-694,V5560] A60-0964-05 BATTERY COVER : A09-0170-08</p> 	<p>AM loop antenna Assy.....(1) (T90-0195-05)</p> 
<p>Batteries (R6/AA)(2)</p> 	<p>Antenna adaptor(75Ω/300Ω) (1) (T90-0185-05):E,T</p> 	<p>[KR-V6060] A70-0962-05 : K,P,Y,M,R A70-0963-05 : E,T BATTERY COVER : A09-0146-08</p> 	<p>Loop antenna stand (J19-3645-05)</p> 

KR-694/V5560/V6060

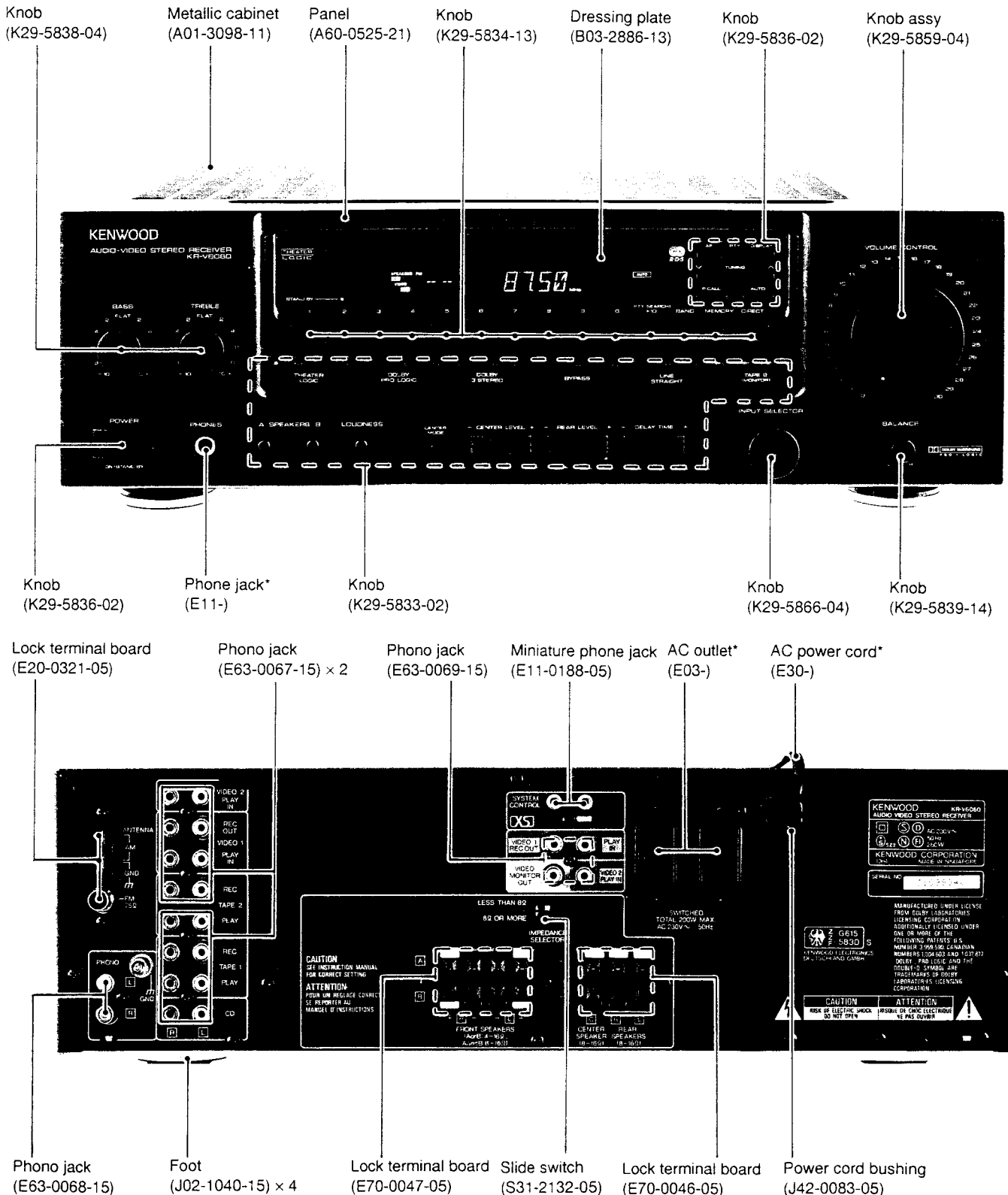
KR-V6060 M type (Except E,T type)



*Refer to parts list on page 51.

KR-694/V5560/V6060

KR-V6060(E,T Type)

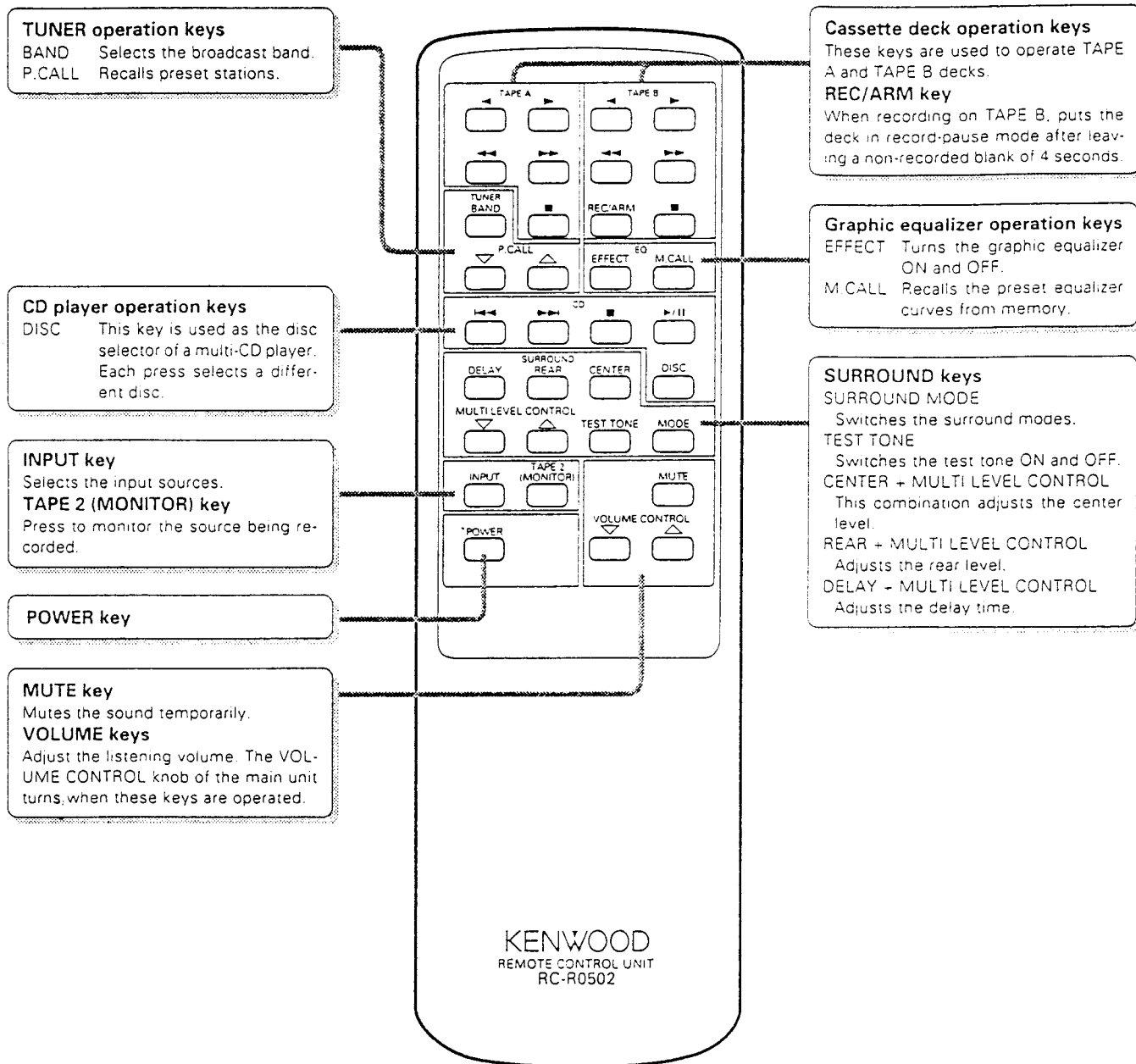


*Refer to parts list on page 51.

KR-694/V5560/V6060

REMOTE CONTROL UNIT

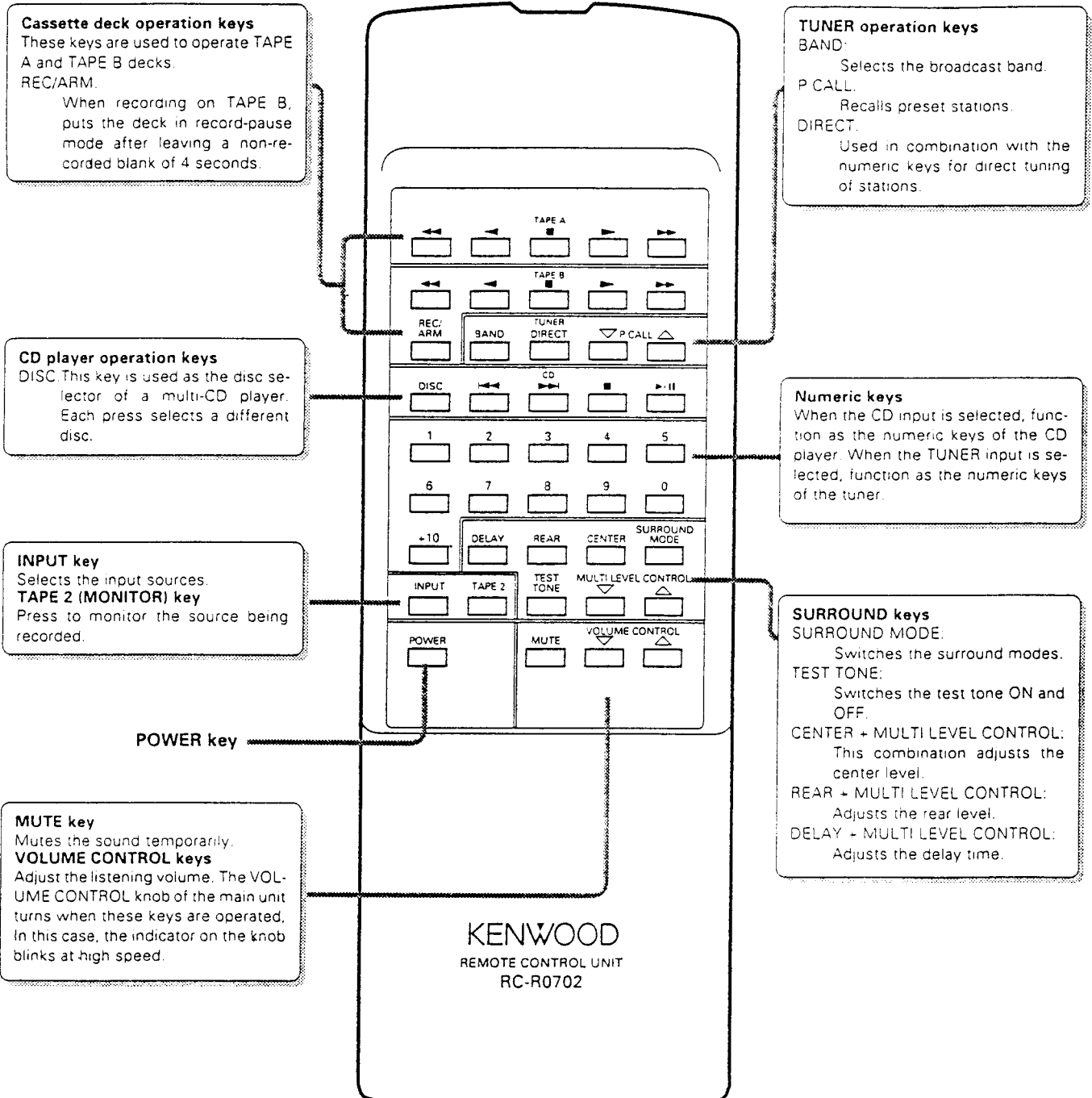
KR-694/V5560



KR-694/V5560/V6060

REMOTE CONTROL UNIT

KR-V6060 (Except E,T type)



KR-694/V5560/V6060 REMOT CONTROL UNIT

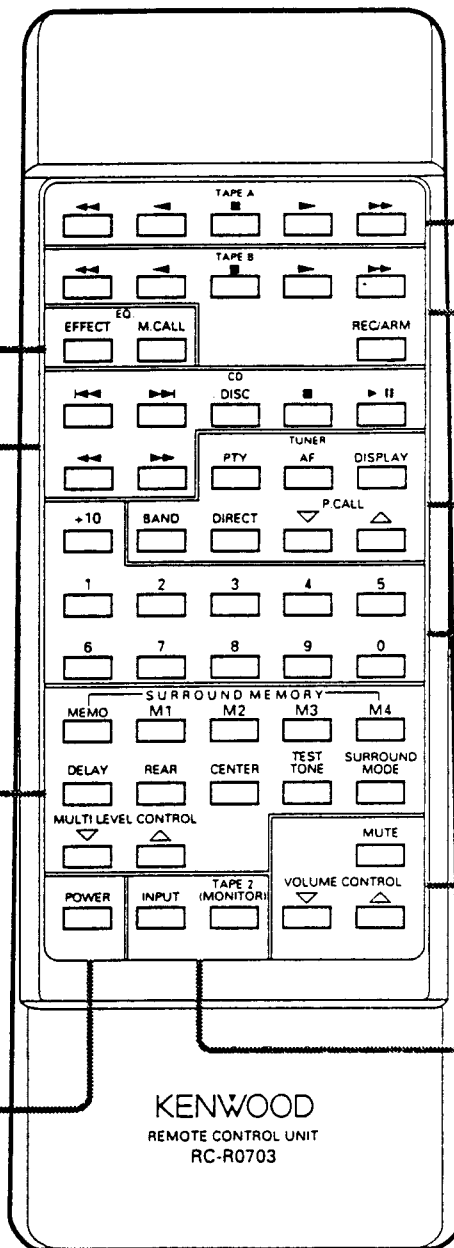
KR-V6060 (E,T type)

Graphic equalizer operation keys
EFFECT:
 Turns the graphic equalizer ON and OFF.
M.CALL:
 Recalls the preset equalizer curves from memory.

CD player operation keys
DISC: This key is used as the disc selector of a multi-CD player. Each press selects a different disc.

SURROUND keys
SURROUND MEMORY:
 Surround play data can be registered under these keys.
SURROUND MODE:
 Switches the surround modes.
TEST TONE:
 Switches the test tone ON and OFF.
CENTER + MULTI LEVEL CONTROL:
 This combination adjusts the center level.
REAR + MULTI LEVEL CONTROL:
 Adjusts the rear level.
DELAY + MULTI LEVEL CONTROL:
 Adjusts the delay time.

POWER key



Cassette deck operation keys
 These keys are used to operate TAPE A and TAPE B decks.
REC/ARM key
 When recording on TAPE B, puts the deck in record-pause mode after leaving a non-recorded blank of 4 seconds.

TUNER operation keys
BAND:
 Selects the broadcast band.
P.CALL:
 Recalls preset stations.
DIRECT:
 Used in combination with the numeric keys for direct tuning of stations.
PTY/AF/DISPLAY:
 Used in reception of RDS broadcasting.

Numeric keys
 When the CD input is selected, function as the numeric keys of the CD player. When the TUNER input is selected, function as the numeric keys of the tuner.

MUTE key
 Mutes the sound temporarily.
VOLUME CONTROL keys
 Adjust the listening volume. The VOLUME CONTROL knob of the main unit turns when these keys are operated. In this case, the indicator on the knob blinks at high speed.

INPUT key
 Selects the input sources.
TAPE 2 (MONITOR) key
 Press to monitor the source being recorded.

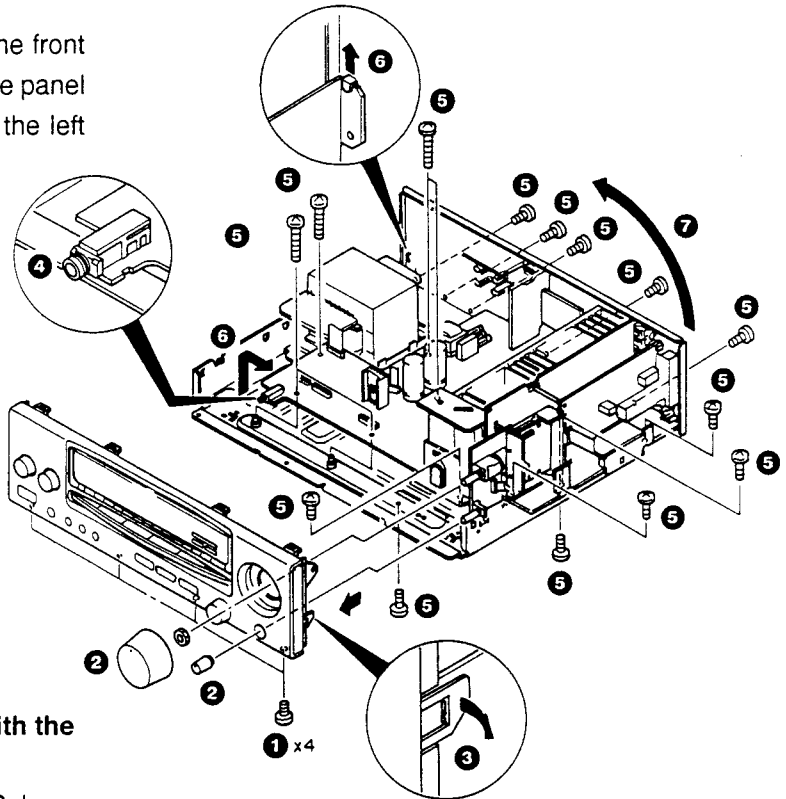
KR-694/V5560/V6060

DISASSEMBLY FOR REPAIR

Remove the upper case in advance.

1. How to remove the front panel

Remove the four screws (❶) at the bottom of the front panel and the volume knob and nut. Remove the panel forward while removing the Balance knob (❷) the left and right tabs (❸).

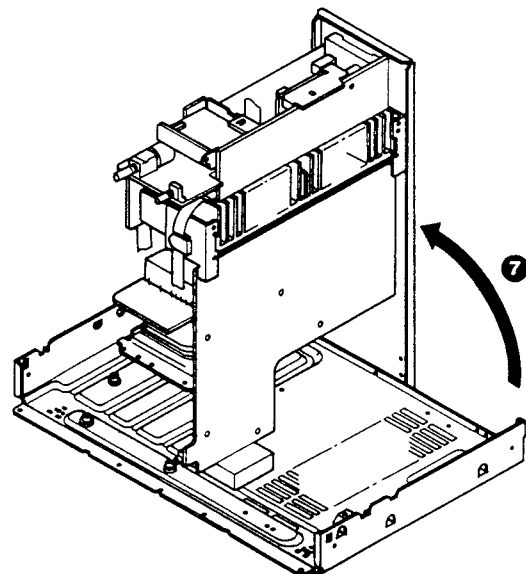


2. How to remove the main circuit board (with the front panel attached)

Remove the Volume knob and nut, and the Balance knob (❷). Next remove the 16 screws (❸) and remove the main PCB from the main chassis.

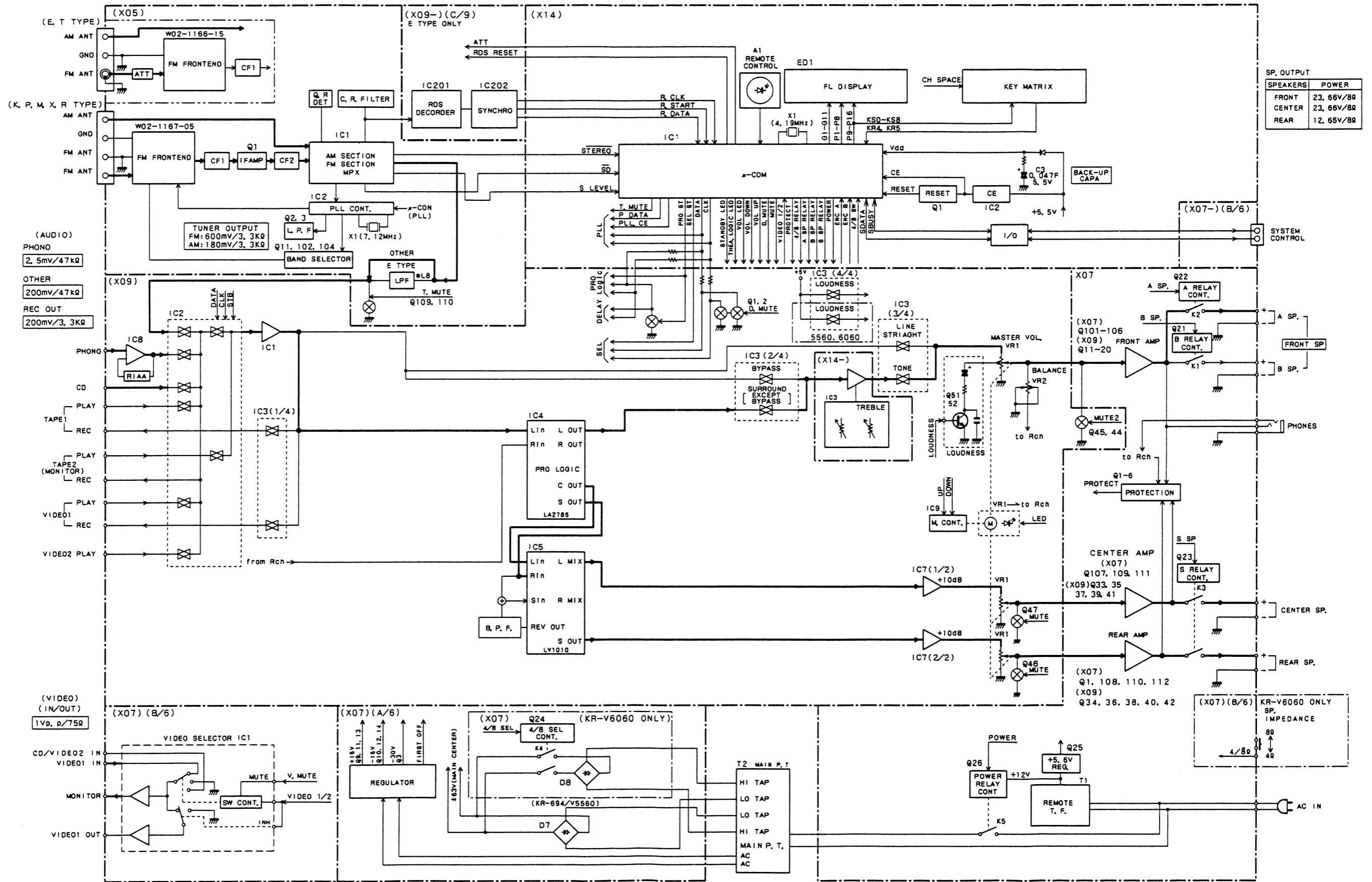
When removing, lift up the main PCB, move it right, lift it up in direction (❷) while being careful not to contact the transformer PCB, and stand it up as shown in the diagram below.

If the main PCB is unstable, insert a spacer (❸) as needed near the PHONES jack.



KR-694/V5560/V6060 KR-694/V5560/V6060

BLOCK DIAGRAM



SPEAKERS	POWER
FRONT	23.66V/8Ω
CENTER	23.66V/8Ω
REAR	12.65V/8Ω

KR-V6060 ONLY	
SP.	IMPEDANCE
4/8Ω	4Ω

KR-694/V5560/V6060 CIRCUIT DESCRIPTION

1. Function description

TUNER

	KR-694	KR-V5560	KR-V6060	KR-V7060	KR-V8060
20 ch RANDOM PRESET	○	○	○	○	○
Tuning control by IF count	○	○	○	○	○
Direct selection	○	○	○	○	○
RDS function (E, T type only)			○	○	

○: FUNCTION NO mark: NO FUNCTION

AMP

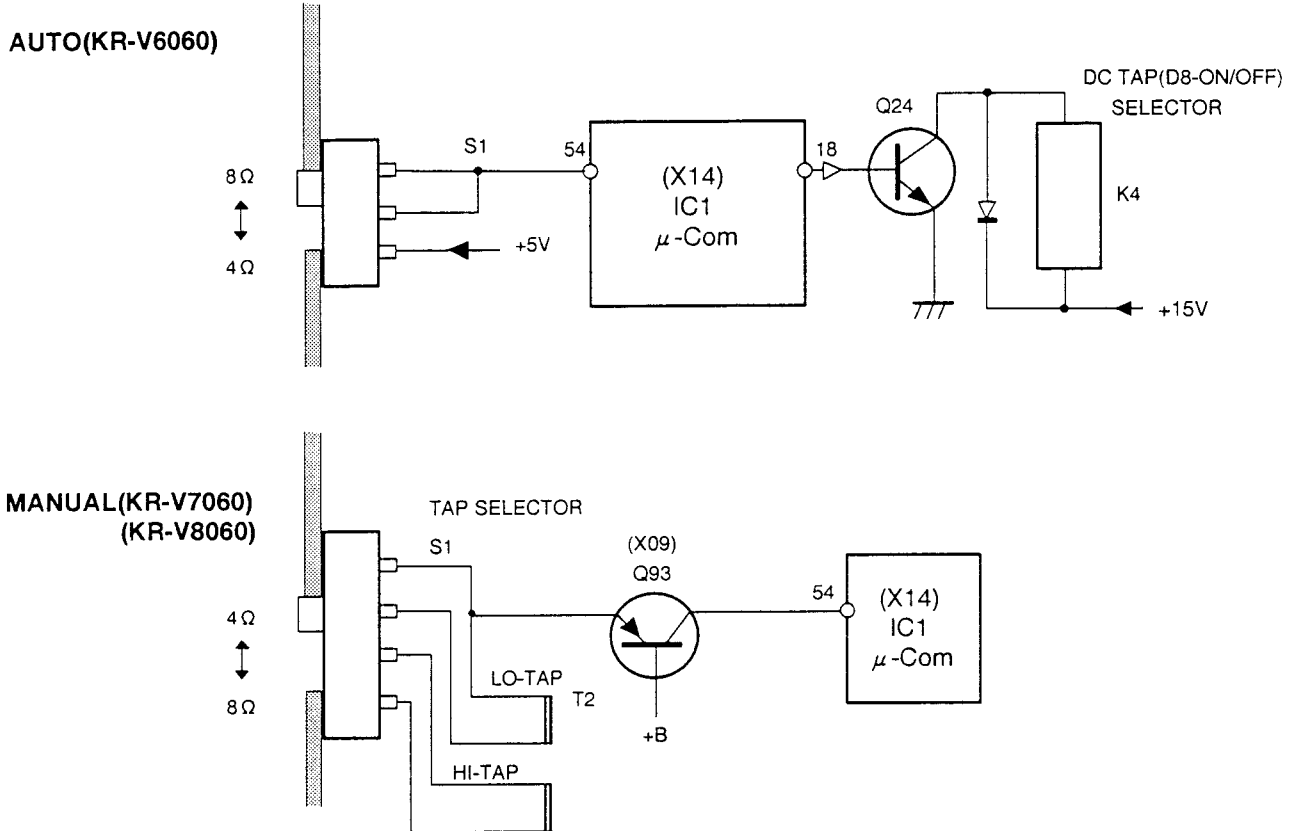
	KR-694	KR-V5560	KR-V6060	KR-V7060	KR-V8060
① INPUT SELECTOR TAPE 2 ON TAPE 2 OFF <div style="display: inline-block; vertical-align: middle; border-left: 1px solid black; border-right: 1px solid black; padding: 0 5px; margin-left: 20px;"> CD TUNER PHONO TAPE 1 VIDEO 1 VIDEO 2 </div>	○	○	○	○	○
② VIDEO SELECTOR VIDEO 1 VIDEO 2	○	○	○	○	○
③ LINE STRAIGHT	○	○	○	○	
④ SURROUND MODE	PRO LOGIC(NOR, WIDE, PHANTOM) 3 STEREO	○	○	○	○
	THEATER LOGIC		○	○	
	DSP LOGIC DSP <div style="display: inline-block; vertical-align: middle; border-left: 1px solid black; border-right: 1px solid black; padding: 0 5px; margin-left: 10px;"> ARENA, JAZZ CLUB STADIUM </div>				○
⑤ SURROUND MEMORY (M1 ~ M4) SURROUND MODE CENTER MODE DELAY TIME CENTER LEVEL			○ (E, T type only)	○ (E, T type only)	
⑥ SPEAKER A/B SELECT	○	○	○	○	○
* ⑦ IMPEADANC SELECTOR (4/8Ω)			○ (AUTO)	○ (MANUAL)	○ (MANUAL)

○: FUNCTION No Mark: NO FUNCTION

KR-694/V5560/V6060

CIRCUIT DESCRIPTION





*⑦ INPEDANCE SELECTOR (4/8 Ω)



AUTO (KR-V6060 only)

Speaker IMPEDANCE SELECTOR

Set the IMPEDANCE SELECTOR switch on the rear panel according to the impedance of the front speakers used. The center and rear speakers should have impedances from 8 to 16 ohms regardless of the position of this switch.

For surround play		For non-surround play	
Front speaker impedance	Selector position	Front speaker impedance	Selector position
A or B speakers 4Ω ~ 6Ω	LESS THAN 8Ω 8Ω OR MORE  IMPEDANCE SELECTOR	A or B speakers 4Ω ~ 6Ω	LESS THAN 8Ω 8Ω OR MORE  IMPEDANCE SELECTOR
A or B speakers 8Ω ~ 16Ω	LESS THAN 8Ω 8Ω OR MORE  IMPEDANCE SELECTOR	A or B speakers 8Ω ~ 16Ω A and B speakers 8Ω ~ 16Ω	LESS THAN 8Ω 8Ω OR MORE  IMPEDANCE SELECTOR

- It is not possible to use both A and B speaker systems for surround play.
- It is not possible to use both A and B speaker systems if speakers have impedances from 4 ohms to 6 ohms.

KR-694/V5560/V6060

CIRCUIT DESCRIPTION

2. Conditions according to the destination and model

TUNER

Destination	DIODE SW			BAND	Receiving Remarks	Channel Space	IF	Reference Frequency
	DSW2 D33	DSW1 D34	DSW0 D35					
K1 (1700)	0	0	0	FM	87.5 MHz ~ 108.0 MHz	100 kHz	+ 10.7 MHz	50 kHz
				AM	530 kHz ~ 1700 kHz	10 kHz	+ 450 kHz	10 kHz
K2 (1610)	0	0	1	FM	87.5 MHz ~ 108.0 MHz	100 kHz	+ 10.7 MHz	50 kHz
				AM	530 kHz ~ 1610 kHz	10 kHz	+ 450 kHz	10 kHz
E1	0	1	1	FM	87.5 MHz ~ 108.0 MHz	50 kHz	+ 10.7 MHz	50 kHz
				AM	531 kHz ~ 1602 kHz	9 kHz	+ 450 kHz	9 kHz
E3 (RDS)	1	0	1	FM	87.5 MHz ~ 108.0 MHz	50 kHz	+ 10.7 MHz	50 kHz
				AM	531 kHz ~ 1602 kHz	9 kHz	+ 450 kHz	9 kHz
M	0	X	1	K2/E1 changes by only setting "DSW1". (DSW1 = 0: K2 Type, 1: E1 type)				

* DIODE SW (DSWX): 0 = Without DIODE (when static, input LOW)
 1 = With DIODE (when static, input HIGH)
 X = TRANSISTOR SW (0 = OFF 1 = ON)

AMP

MODEL	DIODE SW	DSW 4	DSW 3	Surround function	IMPEDANCE SELECTOR (4/8Ω)
	Ref. No.	D31	D32		
KR-694/V5560		0	0	PRO-LOGIC, 3 STEREO	
KR-V6060		0	1	PRO-LOGIC, 3 STEREO, THEATER LOGIC	AUTO
KR-V7060		1	0	PRO-LOGIC, 3 STEREO, THEATER LOGIC	MANUAL
KR-V8060		1	1	PRO-LOGIC, 3 STEREO, DSP LOGIC, DSP.	MANUAL

0: NO DIODE 1: ADD DIODE

KR-694/V5560/V6060

CIRCUIT DESCRIPTION

3. Function initial setting

① POWER OFF

② AMP system

- AUDIO SELECTOR TUNER
- IMAGE SELECTOR VIDEO 1
- SPEAKER A ON
- SPEAKER B OFF
- TAPE 2 MONITOR OFF
- LINE STRAIGHT OFF
- LOUDNESS OFF

③ TUNER system

- BAND FM
- FREQUENCY Lower limit of FM (87.5 MHz)
- TUNING MODE AUTO TUNING (AUTO STEREO)
- P. CH DISPLAY —ch

④ SURROUND system

- MODE BYPASS (OFF)
- CENTER LEVEL 0 dB
- REAR LEVEL 0 dB
- PROLOGIC MODE NORMAL
- 3 STEREO MODE NORMAL
- DSP MODE ARENA
- PRESENCE LEVEL:
 - DSP -0 dB
 - DSP LOGIC (KR-V8060 ONLY) -0 dB
 - THEATER LOGIC -4 dB
- DELAY TIME:
 - DOLBY PROLOGIC 20 ms
 - DSP 30 ms
 - DSP LOGIC (KR-V8060 ONLY) 40 ms
 - THEATER LOGIC 30 ms

⑤ TEST PRESET FREQUENCY

	K1 TYPE	K2 TYPE	E TYPE
01 ch	FM 98.00 MHz	FM 98.00 MHz	FM 98.00 MHz
02 ch	FM 108.00 MHz	FM 108.00 MHz	FM 108.00 MHz
03 ch	AM 630 kHz	AM 630 kHz	AM 630 kHz
04 ch	AM 990 kHz	AM 990 kHz	AM 990 kHz
05 ch	AM 1440 kHz	AM 1440 kHz	AM 1440 kHz
06 ch	AM 1610 kHz	AM 1610 kHz	AM 1602 kHz
07 ch	AM 1700 kHz	FM 87.50 MHz	FM 87.50 MHz
08 ch	FM 87.50 MHz	FM 87.50 MHz	FM 87.50 MHz
09 ch	FM 87.50 MHz	FM 87.50 MHz	FM 87.50 MHz
10 ch	FM 89.10 MHz	FM 89.10 MHz	FM 89.10 MHz
11 ch	FM 87.50 MHz	FM 87.50 MHz	FM 87.50 MHz
12 ch	FM 90.00 MHz	FM 90.00 MHz	FM 90.00 MHz
13 ch	FM 106.00 MHz	FM 106.00 MHz	FM 106.00 MHz
14 ch	AM 530 kHz	AM 530 kHz	AM 531 kHz
15 ch	FM 87.50 MHz	FM 87.50 MHz	FM 87.50 MHz
16 ch	FM 87.50 MHz	FM 87.50 MHz	FM 87.50 MHz
17 ch	FM 87.50 MHz	FM 87.50 MHz	FM 87.50 MHz
18 ch	FM 87.50 MHz	FM 87.50 MHz	FM 87.50 MHz
19 ch	FM 87.50 MHz	FM 87.50 MHz	FM 87.50 MHz
20 ch	FM 87.50 MHz	FM 87.50 MHz	FM 87.50 MHz

The initial setting is performed in a following event:

1. When backup memory data is destroyed when reset is applied to the microprocessor.
2. When the power cord is plugged in to the AC wall outlet while pressing the POWER key.

KR-694/V5560/V6060

CIRCUIT DESCRIPTION

4. TEST MODE

Setting method

Plug the power cord in the AC electrical outlet while depressing the "TUNING DOWN" key.

Cancellation method

Unplug the power cord from the AC electrical outlet.

Contents

① Starting the main unit test mode

When plug the power cord in the outlet while depressing the "TUNING DOWN" key, the test mode is entered which uses the main unit keys. At this time the following three actions occur:

- The power comes ON automatically.
- The fluorescent display and all LEDs illuminate.
- All conditions except POWER ON/OFF are initialized.

The all-illuminated state is cleared by pressing any main unit key. Also, any conditions changed during test mode are reinitialized when the test mode is cleared (by turning the AC power supply OFF).

② Automatic motor VR UP/DOWN (AMP)

Operating the "TAPE 2" key actuates the motor VR as follows: 16 seconds UP → 16 seconds DOWN → STOP. Accordingly, "TAPE 2 MONITOR" switching cannot be done during the main unit test mode.

③ Mute signal output (AMP)

No Selector MUTE (MUTE 1) control regulation is done whatsoever.

④ 0~9, +10 testmode (TUNER)

- When the +10 key is not operated, channels 1 through 9 (1~9 keys) and channel 10 (0 key) can be called.
- When the +10 key is operated once, channels 11 through 19 (1~9 keys) and channel 20 (0 key) can be called.
- When the +10 key is operated once more, the condition returns to that of a) above: "when the +10 key is not operated."

⑤ Operations that can only be done by remote control

- AMP system: NONE
- TUNER system: NONE
- SURROUND system

"P. CH CALL" key: Same operation as the "CENTER MODE" key.

"DIRECT" key: Same operation as "TEST TONE" key.

- Naturally enough, "P. CH CALL" "DIRECT" operation cannot be carried out.

⑥ During the test mode, because there is no 4/8 switching input status display, the fluorescent "SPEAKERS" display is substituted instead.

(4/8 = Light on/Light off) As a result, please be careful concerning illumination of "SPEAKERS" during the test mode.

⑦ Cancelling the main unit test mode

When the power cord unplug in the AC outlet during the main unit test mode, the test mode is cancelled and the initial condition restored.

KR-694/V5560/V6060

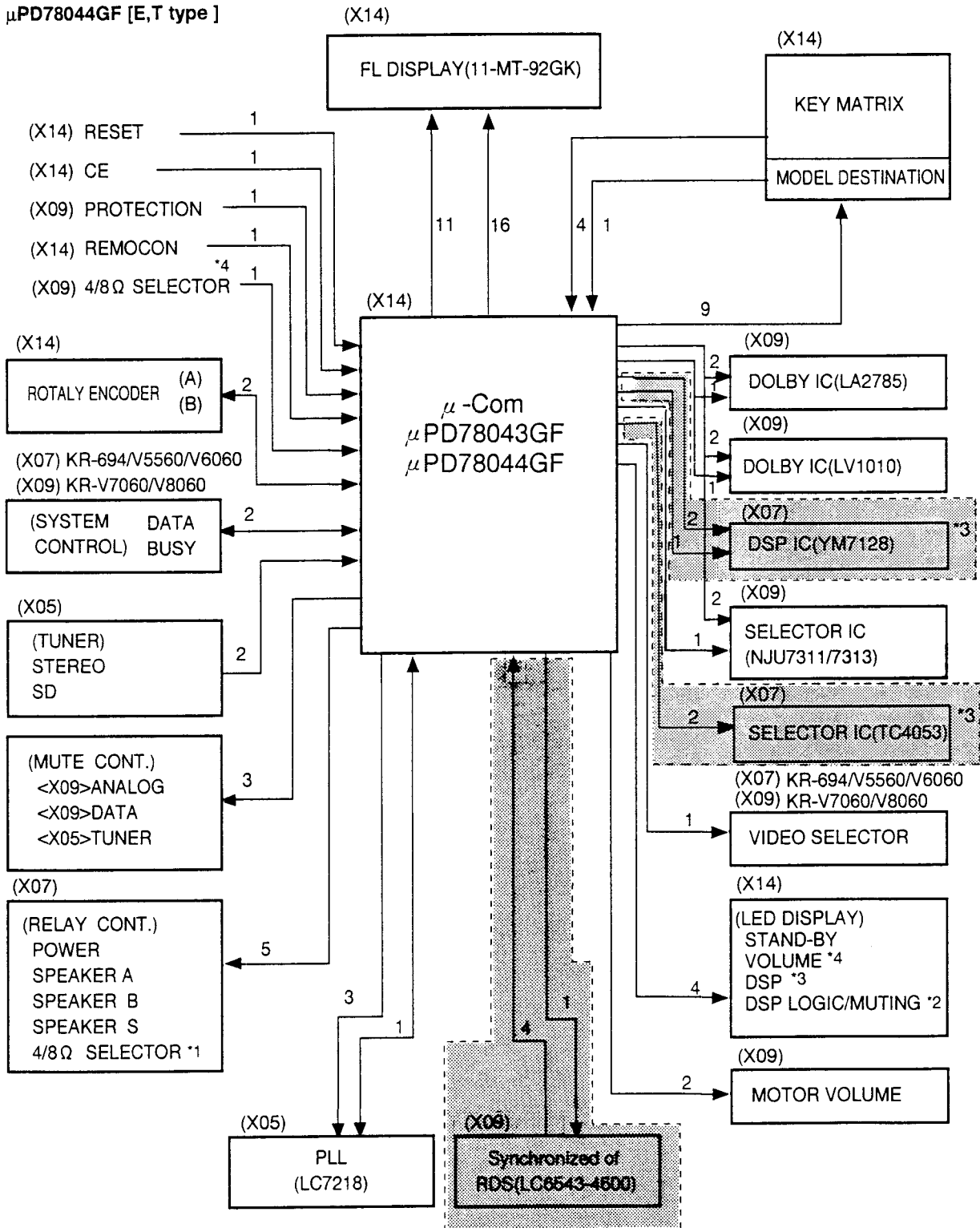
CIRCUIT DESCRIPTION

5. Microprocessor : μ PD78043GF/ μ PD78044GF (X14 : IC1)

① Microprocessor periphery block diagram

μ PD78043GF [K,P,M,X,Y type]

μ PD78044GF [E,T type]



*1 : KR-V6060 only

*2 : Usually, DSP LOGIC(LED) , MUTING(LED) when KR-V5560.

*3 : KR-V8060 only

*4 : Unused for KR-V5560.

: μ PD78044GF ONLY

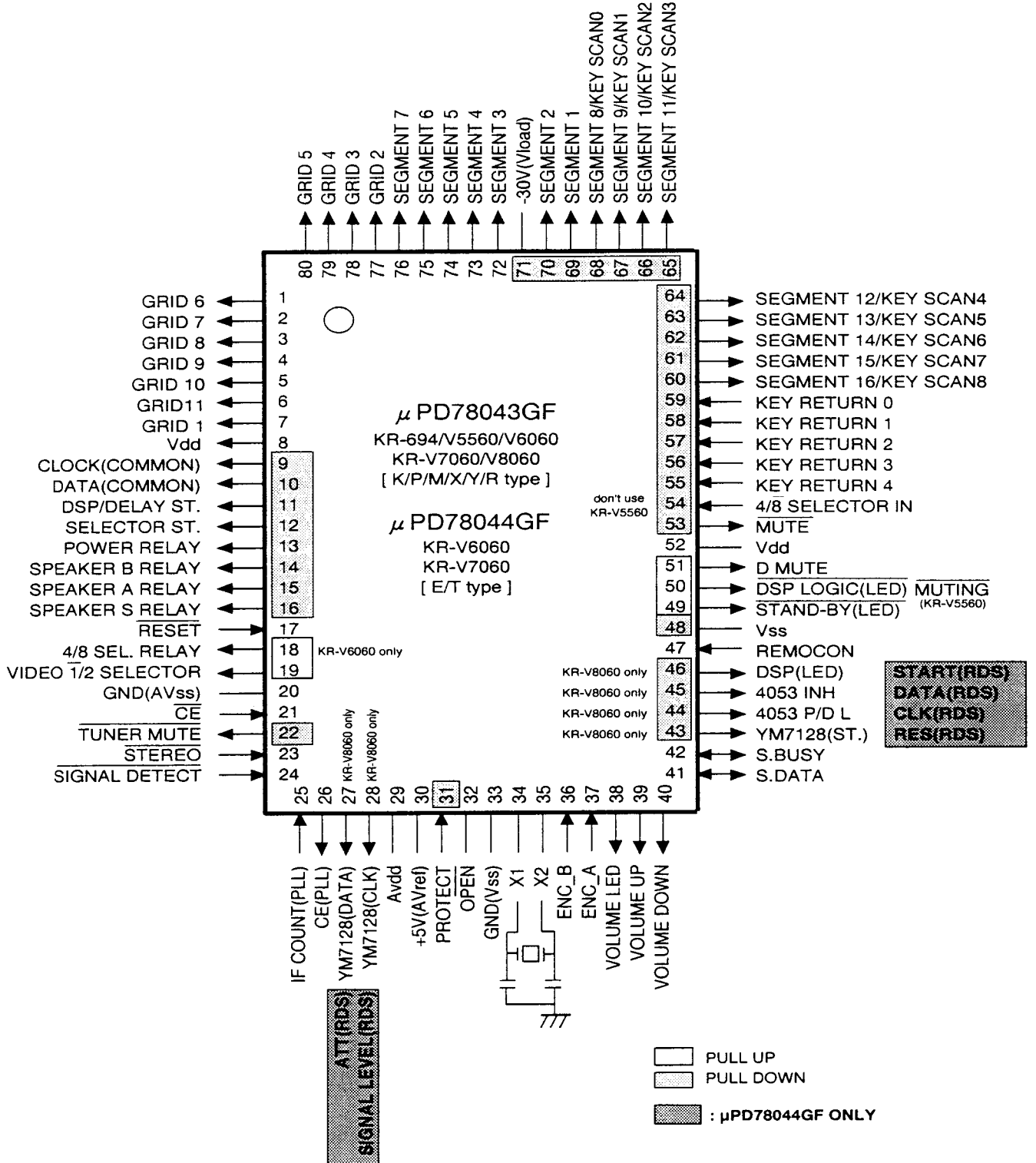
KR-694/V5560/V6060

CIRCUIT DESCRIPTION

② Port layout

μPD78043GF [K,P,M,X,Y type]

μPD78044GF [E,T type]



KR-694/V5560/V6060

CIRCUIT DESCRIPTION

③ Pin description

For pin numbers marked by an asterisk(*) the upper row is μ PD78043GF and the lower () row is μ PD78044GF.

Pin No.	μ -Com No.	Port I/O	Name	Description
1		OUT	GRID 6	FL Grid 6
2		OUT	GRID 7	FL Grid 7
3		OUT	GRID 8	FL Grid 8
4		OUT	GRID 9	FL Grid 9
5		OUT	GRID 10	FL Grid 10
6		OUT	GRID 11	FL Grid 11
7		OUT	GRID 1	FL Grid 1
8		-	Vdd	Microprocessor power supply
9		OUT	CLOCK (COMMON)	Clock for control IC (ANALOG SW/PLL IC/DSP)
10		OUT	DATA (COMMON)	Data for control IC (ANALOG SW/PLL IC/DSP)
11		OUT	DSP/DELAY ST.	DSP IC Strobe for control (LA2785/LV1010)
12		OUT	SELECTOR ST.	Strobe for control selector IC
13		OUT	POWER RELAY	Power relay control H: POWER ON L: POWER OFF
14		OUT	SPEAKER B RELAY	Speaker B relay control H: SP B ON L: SP B OFF
15		OUT	SPEAKER A RELAY	Speaker A relay control H: SP A ON L: SP A OFF
16		OUT	SPEAKER S RELAY	Surround speaker relay control H: SP S ON L: SP S OFF
17		IN	RESET	Microprocessor reset
18		OUT	4/8 CHANGEOVER RELAY	TAP control (KR-V6060 only) H: HIGF TAP L: LOW TAP
19		OUT	VIDEO 1/2 SELECTOR	VIDEO Selector H: VIDEO 2 L: VIDEO 1
20		-	AVss	A/D power supply(GND)
21		IN	CE	Microprocessor CE
22		OUT	TUNER MUTE	TUNER MUTE control H: MUTE OFF L: MUTE ON
23		IN	STEREO	Stereo signal detection H: MONORAL L: STEREO
24		IN	SIGNAL DETECT	Synchronized signal detection H: NO TUNED L: TUNED
25		IN	IF COUNT(PLL)	IF COUNT Data (PLL DO)
26		OUT	CE(PLL)	PLL CE
*27	μ PD78043GF	OUT	YM7128(DATA)	DSP IC Data for control
*27	μ PD78044GF	OUT	ATT(RDS)	Atineter control
*28	μ PD78043GF	OUT	YM7128(CLK)	DSP IC Clock for control
*28	μ PD78044GF	OUT	SIGNAL LEVEL(RDS)	SIGNAL LEVEL (A/D)
29		-	AVdd	A/D Power supply
30		-	AVref	A/D Reference voltage (+5V)
31		IN	PROTECT	Protection detection H: PROTECTION L: NORMAL
32		-	OPEN	
33		-	Vss	Microprocessor power supply(GND)
34		IN	X1	4.19 MHz Oscillator
35		OUT	X2	4.19 MHz Oscillator
36		IN	ENC_B	Encoder input B
37		IN	ENC_A	Encoder input A
38		OUT	VOLUME LED	VOLUME LED control H: LED OFF L: LED ON
39		OUT	VOLUME UP	MOTOR VOLUME control (UP)
40		OUT	VOLUME DOWN	MOTOR VOLUME control (DOWN)
41		I/O	S.DATA	8 bit system DATA

KR-694/V5560/V6060

CIRCUIT DESCRIPTION

For pin numbers marked by an asterisk(*) the upper row is μ PD78043GF and the lower () row is μ PD78044GF.

Pin No.	μ -Com No.	Port I/O	Name	Description
42		I/O	S.BUSY	8 bit system BUSY
*43	μ PD78043GF	OUT	YM7128(ST.)	DSP IC Strobe for control
*43	μ PD78044GF	OUT	RES(RDS)	RDS Reset
*44	μ PD78043GF	OUT	4053 P/D L	TC4053 Control pin
*44	μ PD78044GF	OUT	CLK(RDS)	RDS Clock
*45	μ PD78043GF	OUT	4053 INH	TC4053 Control pin
*45	μ PD78044GF	OUT	DATA(RDS)	RDS Data
*46	μ PD78043GF	OUT	DSP(LED)	DSP LED Control H: LED ON L: LED OFF
*46	μ PD78044GF	OUT	START(RDS)	RDS Start
47		IN	REMOCON	Remote control input
48		-	GND	
49		OUT	STAND-BY(LED)	STAND-BY LED Control H: LED OFF L: LED ON
50		OUT	DSP LOGIC(LED)	DSP LOGIC LED Control H: LED OFF L: LED ON
51		OUT	D MUTE	DATA MUTE
52		-	Vdd	Microprocessor power supply
53		OUT	MUTE	Selector MUTE control H: MUTE OFF L: MUTE ON
54		IN	4/8 SELECTOR IN	Speaker impedance changeover H: 4 Ω L: 8 Ω
55		IN	KEY RETURN 4	Key return 4
56		IN	KEY RETURN 3	Key return 3
57		IN	KEY RETURN 2	Key return 2
58		IN	KEY RETURN 1	key return 1
59		IN	KEY RETURN 0	Key return 0
60		OUT	SEGMENT 16	FL Segment 16/key scan 8
61		OUT	SEGMENT 15	FL Segment 15/key scan 7
62		OUT	SEGMENT 14	FL Segment 14/key scan 6
63		OUT	SEGMENT 13	FL Segment 13/key scan 5
64		OUT	SEGMENT 12	FL Segment 12/key scan 4
65		OUT	SEGMENT 11	FL Segment 11/key scan 3
66		OUT	SEGMENT 10	FL Segment 10/key scan 2
67		OUT	SEGMENT 9	FL Segment 9/key scan 1
68		OUT	SEGMENT 8	FL Segment 8/key scan 0
69		OUT	SEGMENT 1	FL Segment 1
70		OUT	SEGMENT 2	FL Segment 2
71		-	Vload	FL Driver power supply(- 30V)
72		OUT	SEGMENT 3	FL Segment 3
73		OUT	SEGMENT 4	FL Segment 4
74		OUT	SEGMENT 5	FL Segment 5
75		OUT	SEGMENT 6	FL Segment 6
76		OUT	SEGMENT 7	FL Segment 7
77		OUT	GRID 2	FL Grid 2
78		OUT	GRID 3	FL Grid 3
79		OUT	GRID 4	FL Grid 4
80		OUT	GRID 5	FL Grid 5

KR-694/V5560/V6060

ADJUSTMENT

[FM,AM SECTION : E,T Type ONLY]

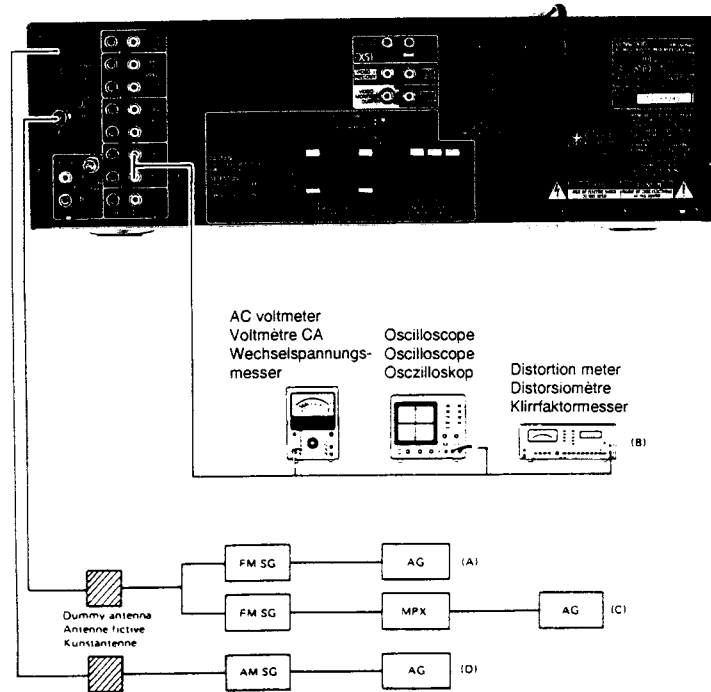
No.	ITEM	INPUT SETTINGS	OUTPUT SETTINGS	TUNER SETTINGS	ALIGNMENT POINT	ALIGN FOR	FIG.
FM SECTION SELECTOR : FM							
1	DISCRIMINATOR	(A) 98.0MHz 1kHz,±75kHz dev 60dBμ(ANT input)	Connect a DC voltmeter between TP3 and TP4.	AUTO or MONO 98.0MHz	L3 (X05-)	0V	(a)
					L4 (X05-)	Minimum distortion	
2	DISTORTION (STEREO)	(C) 98.0MHz 1kHz,±68.25kHz dev Selector: L or R Pilot : ±6.75kHz dev 60dBμ(ANT input)	(B)	98.0MHz	IFT (W02-)	Mimum distortion. (L or R)	
3	SEPARATION	(C) 98.0MHz Stereo signal 60dBμ(ANT input)	(B)	AUTO 98.0MHz	VR3 (X05-)	Minimum crosstalk	
4	TUNING LEVEL	(A) 98.0MHz 0dev 14dBμ(ANT input)75Ω 18dBμ(ANT input)30Ω	(B)	AUTO or MONO 98.0MHz	VR1 (X05-)	Adjust VR1 and stop at the point where ED1(TUNED) goes on.	
AM SECTION SELECTOR : AM							
(1)	TUNING LEVEL	(D) 1008kHz 20dBμ(ANT input)	(B)	1008kHz	VR2 (X05-)	Adjust VR2 and stop at the point where ED1(TUNED) goes on.	

[COMMON]

No.	ITEM	INPUT SETTINGS	OUTPUT SETTINGS	AMPLIFIER SETTINGS	ALIGNMENT POINT	ALIGN FOR	FIG.
AUDIO SECTION							
< 1 >	IDLE CURRENT	-	(E) Connect a DC voltmeter across CP1(L) CP2(R) CP3(CENTER) CP4(REAR)	Volume:0	VR1(L) VR2(R) VR3(CENTER) VR4(REAR) (X07-)	22mV	(b)
POWER : ON SELECTOR : CD(NO SIGNAL) SURROUND : PRO LOGIC							
< 2 >	PRO LOGIC S-OUT NOISE LEVEL	Short between TP6 and TP7 (B/5), between TP10 and TP11 (E/5). (X09-)	Connect a oscilloscope at Rear sp L or R. (Connect load with Rear sp L or R.)	Volume:MAX REAR LEVEL:MAX	VR3 (X09-)(E/5)	Minimum noise level (fig. © point of (c).	(c)

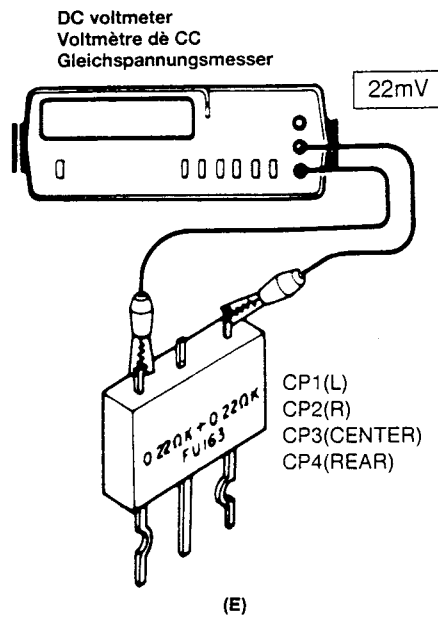
KR-694/V5560/V6060 ADJUSTMENT

(a)



(b)

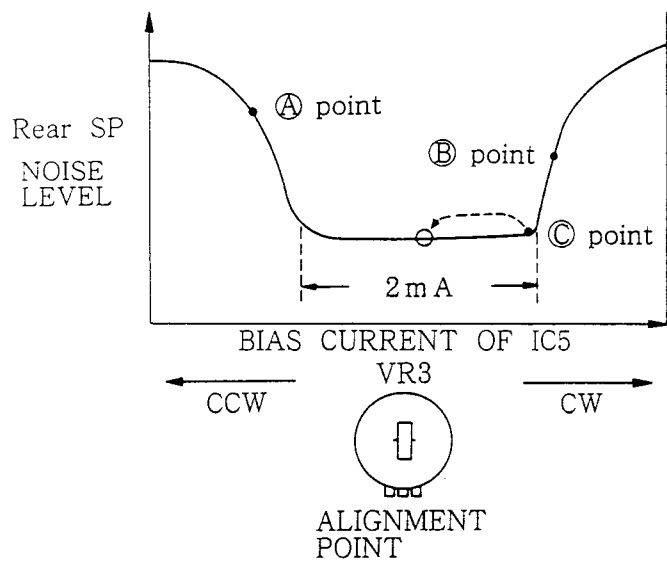
System connections/Reccordements du système/System-Anschlusse



KR-694/V5560/V6060

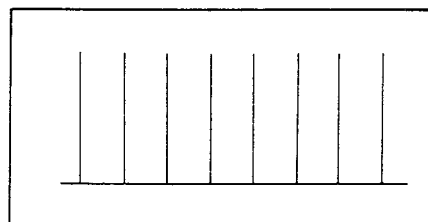
ADJUSTMENT

(c)

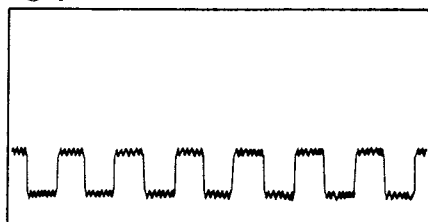


[Procedure]

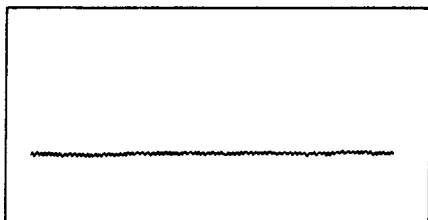
1) A point



2) B point

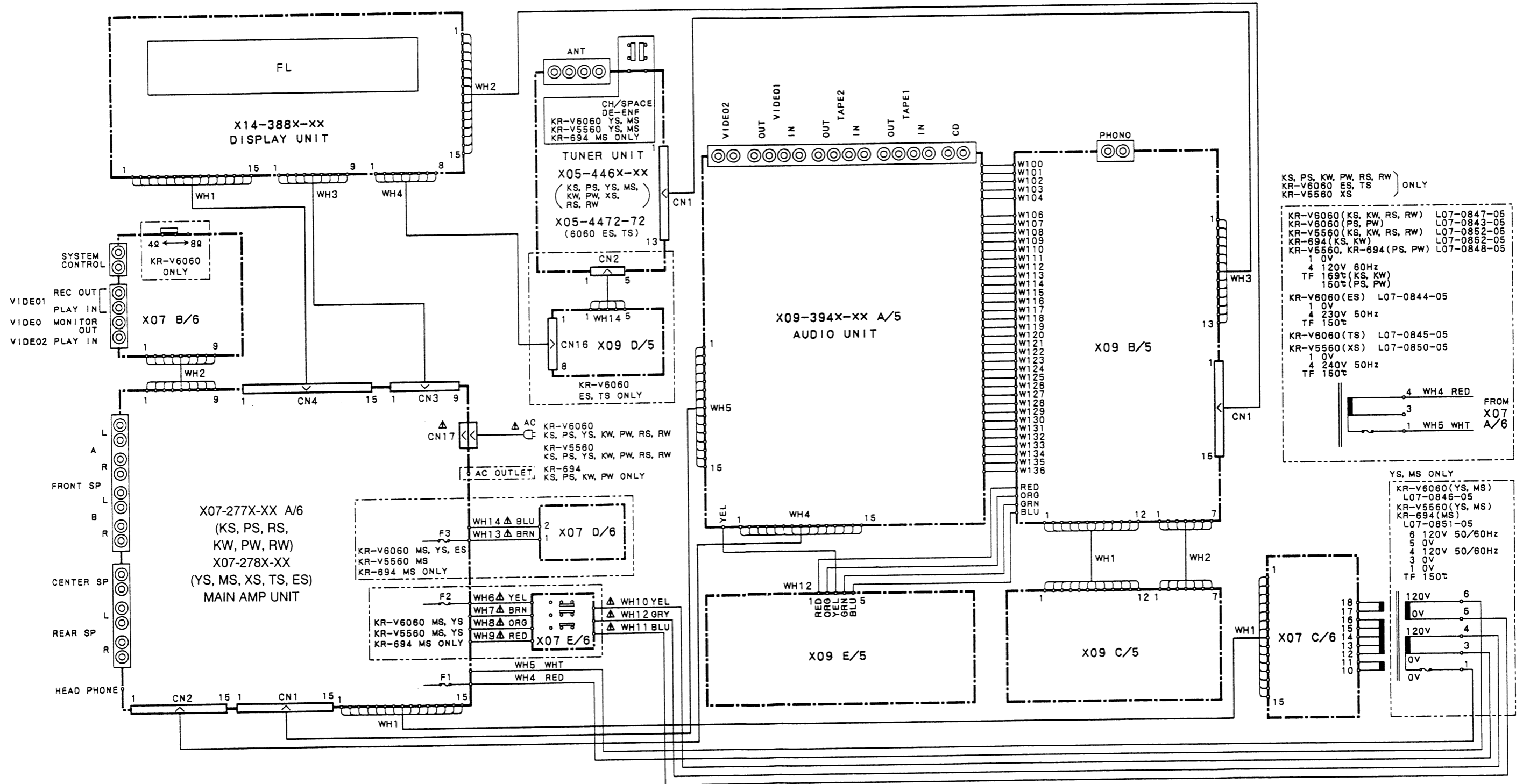


3) C point (Minimum noise level)



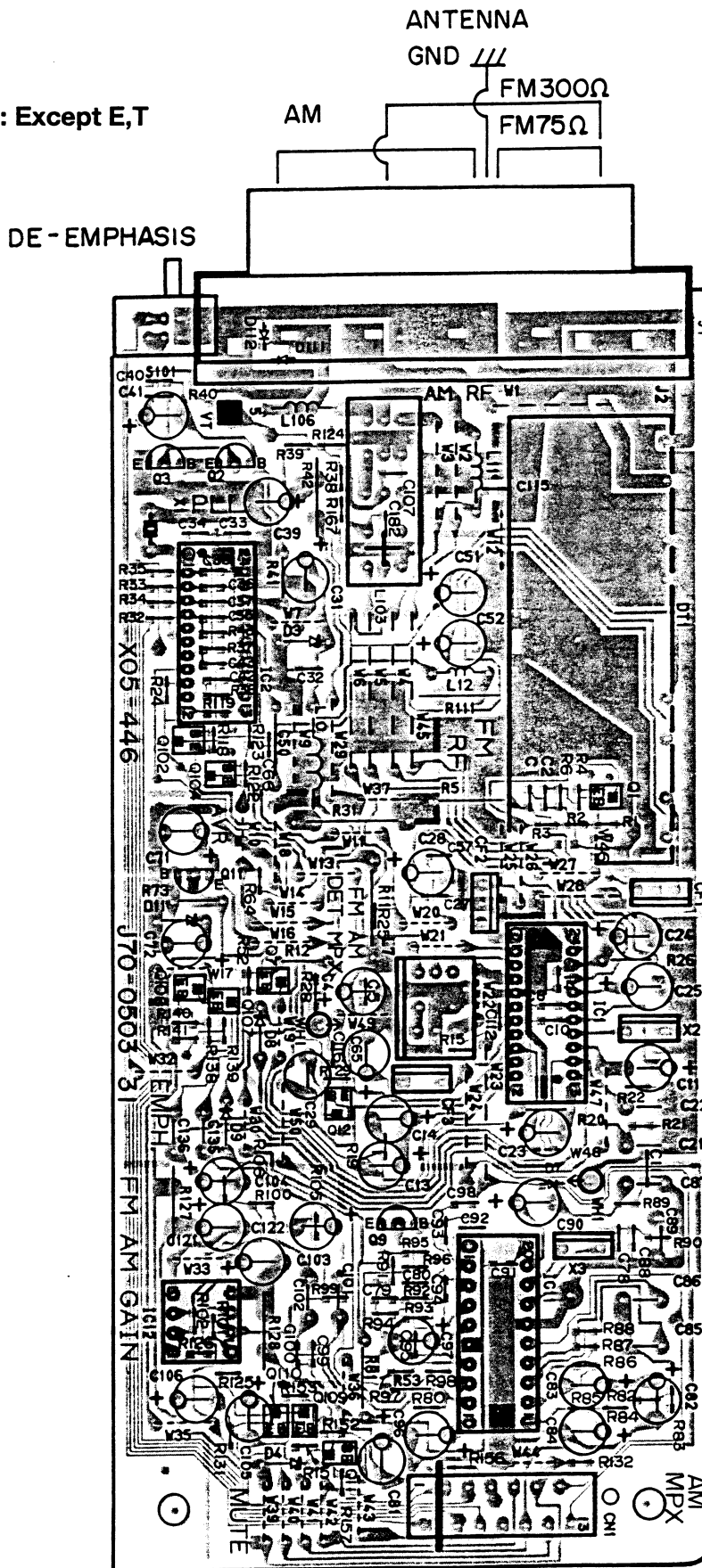
KR-694/V5560/V6060 KR-694/V5560/V6060

WIRING DIAGRAM



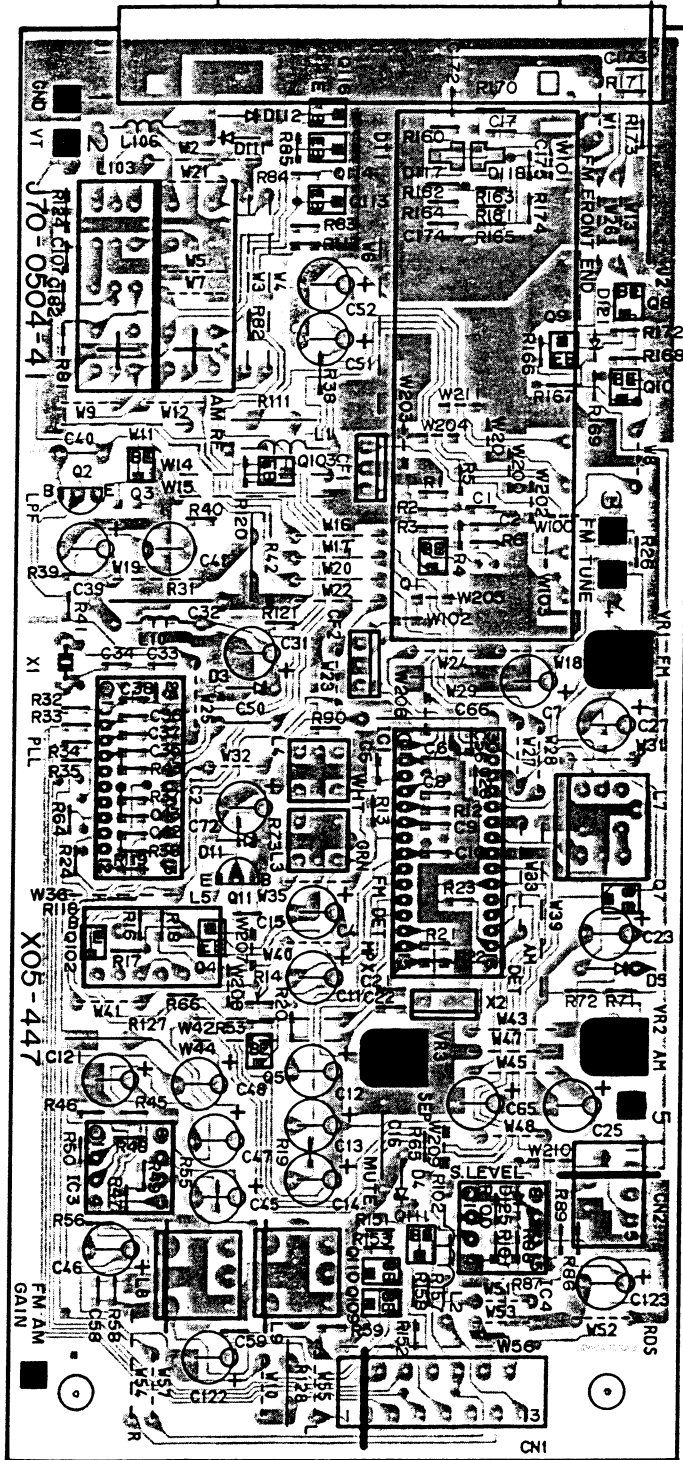
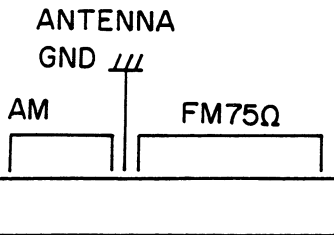
PC BOARD (Component side view)

TUNER UNIT(X05-446X-XX) : Except E,T



Refer to the schematic diagram for the values of resistors and capacitors.

TUNER UNIT(X05-4472-72) : E,T
 (KR-V6060 only)



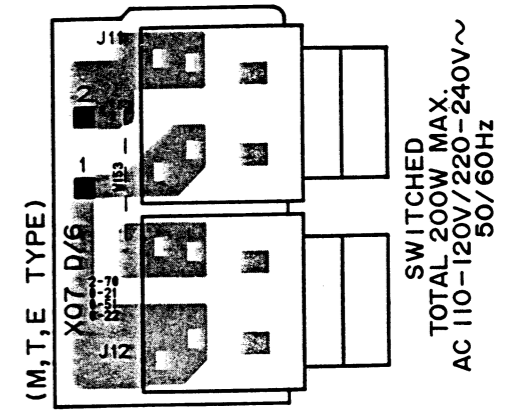
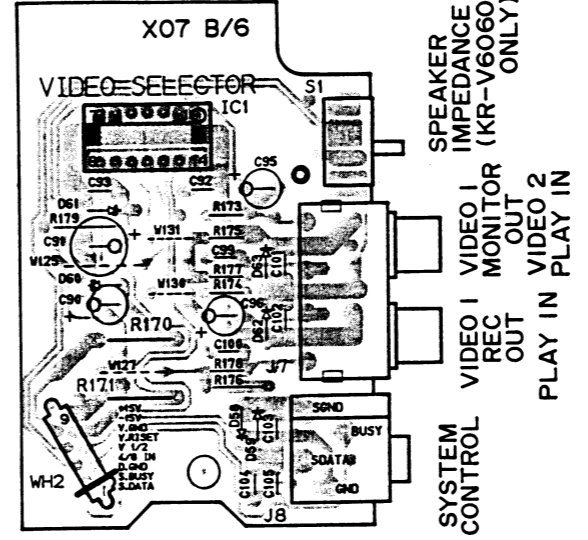
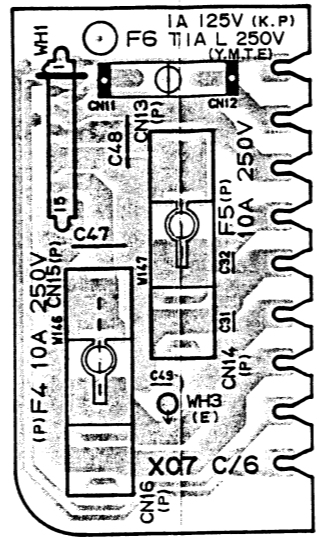
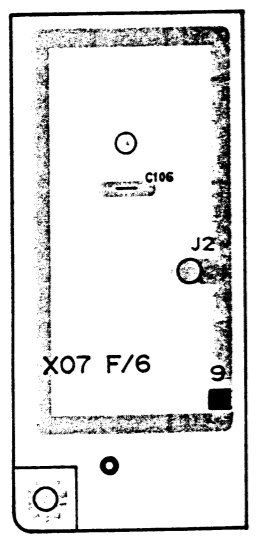
PC BOARD (Component side view)

MAIN AMP UNIT(X07-277X-XX) : K,P,R
(X07-278X-XX) : Y,M,X,T,E

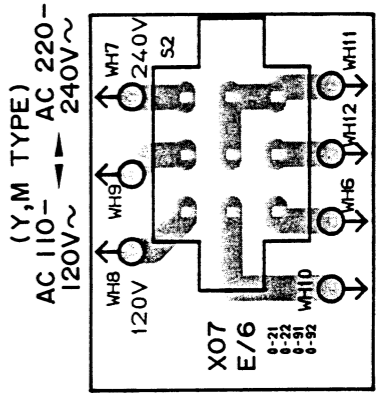
ATTENTION AFIN D'ASSURER UNE PROTECTION PERMANENTE
CONTRE LES RISQUES D'INCENDIE. REMPLACER UNIQUEMENT
PAR UN FISTIBLE DE MEME TYPE.
CAUTION FOR CONTINUED PROTECTION
AGAINST FIRE HAZARD. REPLACE ONLY WITH
SAME TYPE FUSES.

PHONES

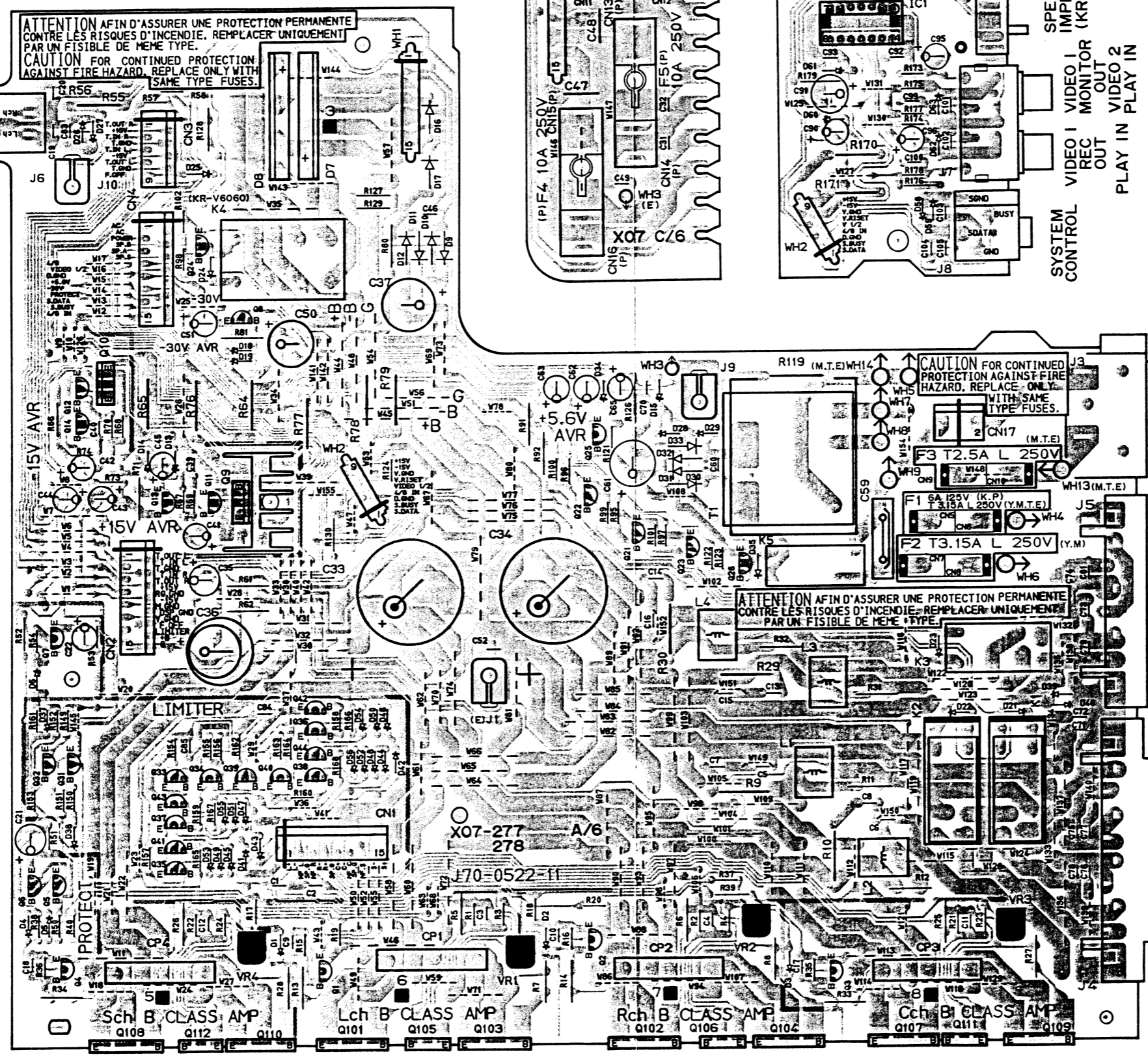
FRONT
←



SWITCHED TOTAL 200W MAX.
AC 110-120V/220-240V~
50/60HZ



AC 110-120V~ AC 220-240V~



AC OUTLET
(K, P, Y TYPE)

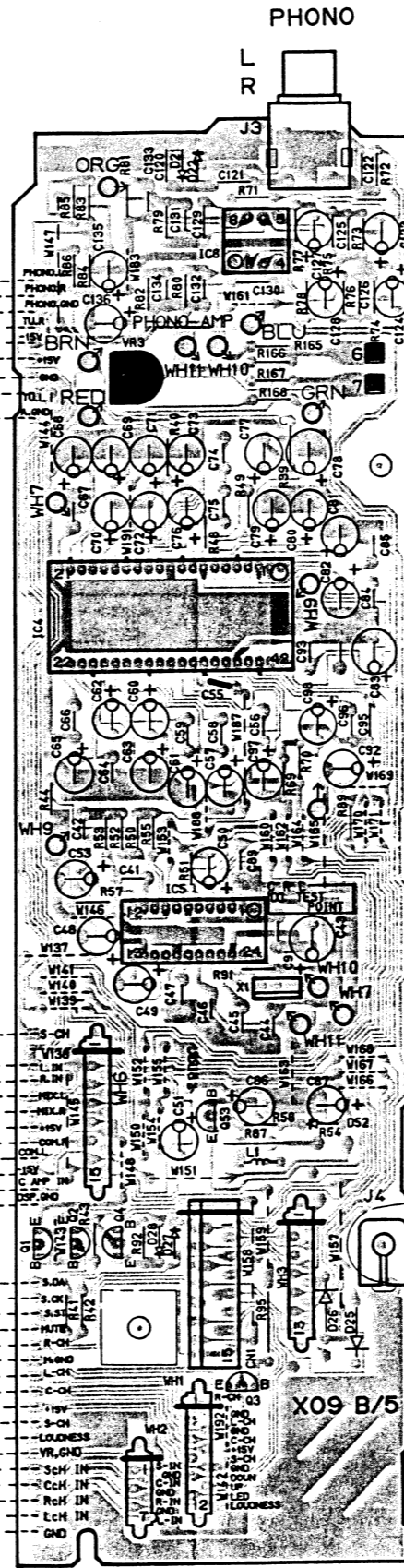
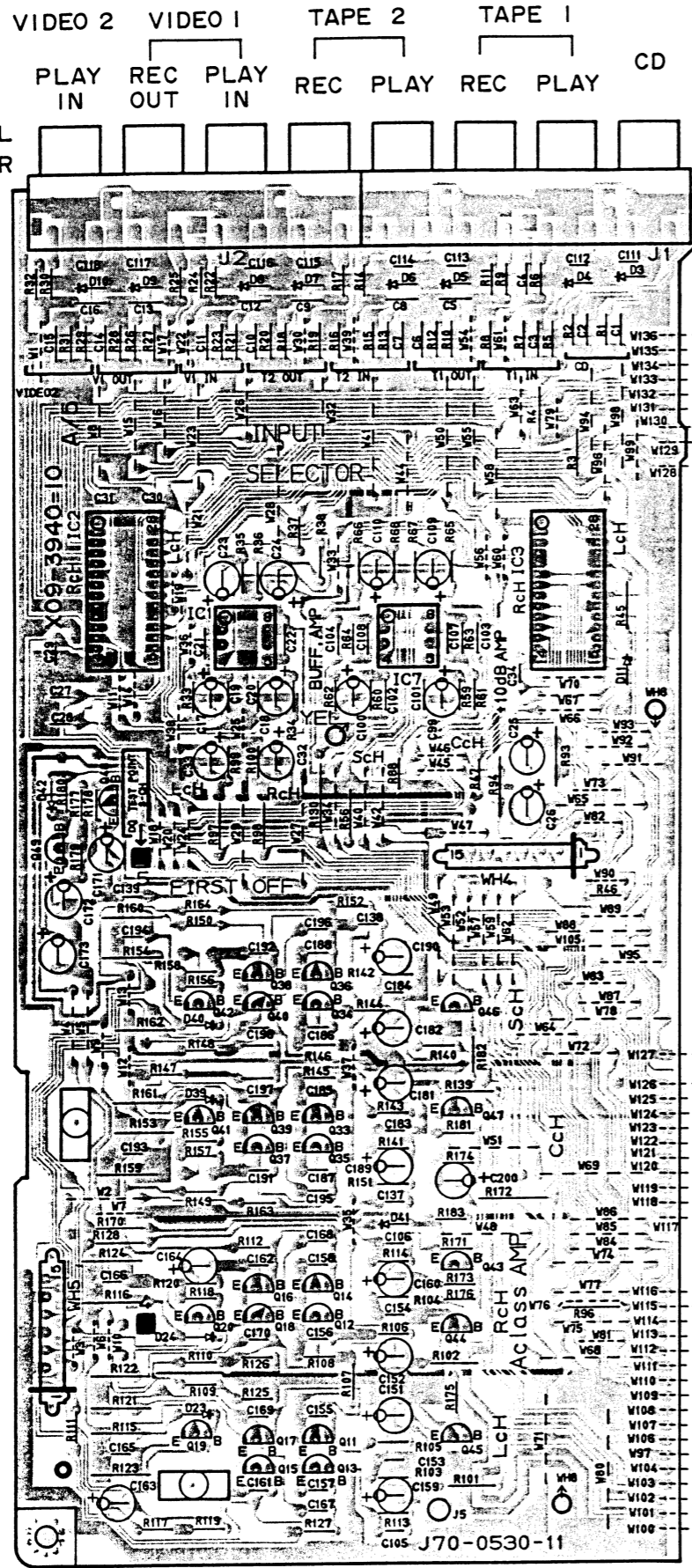
REAR SPEAKERS
(8-16Ω)

FRONT SPEAKERS
(8-16Ω)

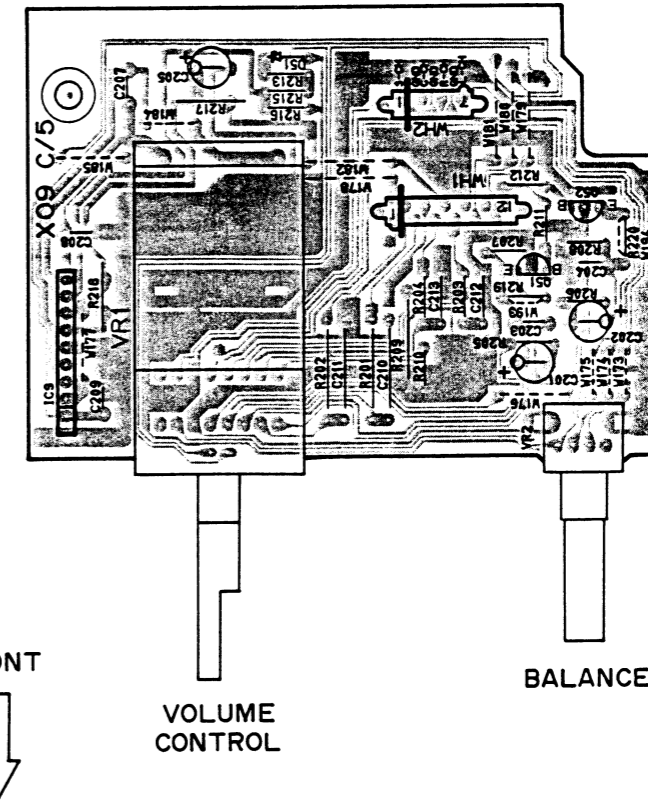
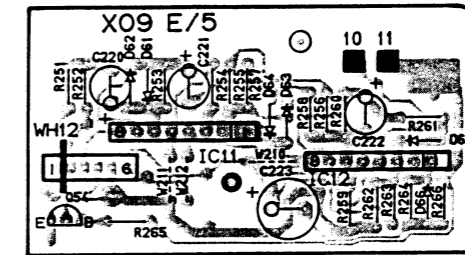
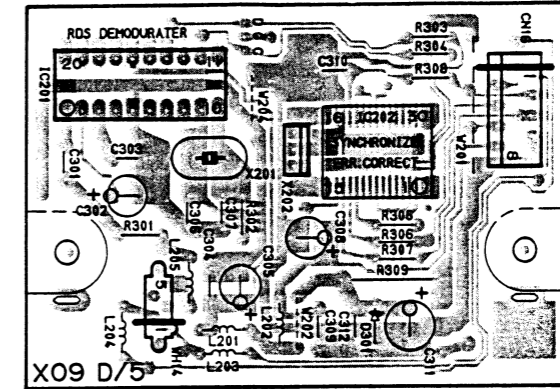
A B

PC BOARD (Component side view)

AUDIO UNIT(X09-394X-XX)

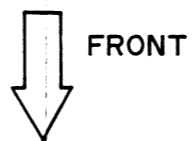
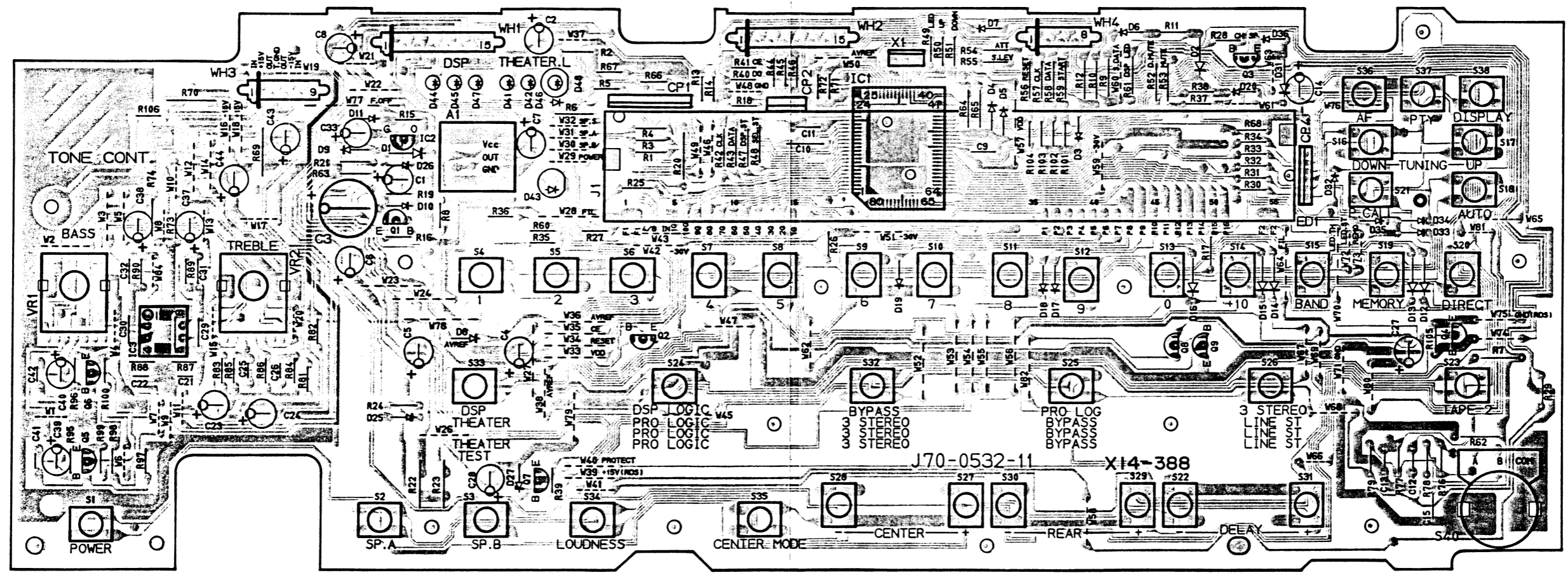


RDS UNIT KR-V 6060 E,T TYPE ONLY



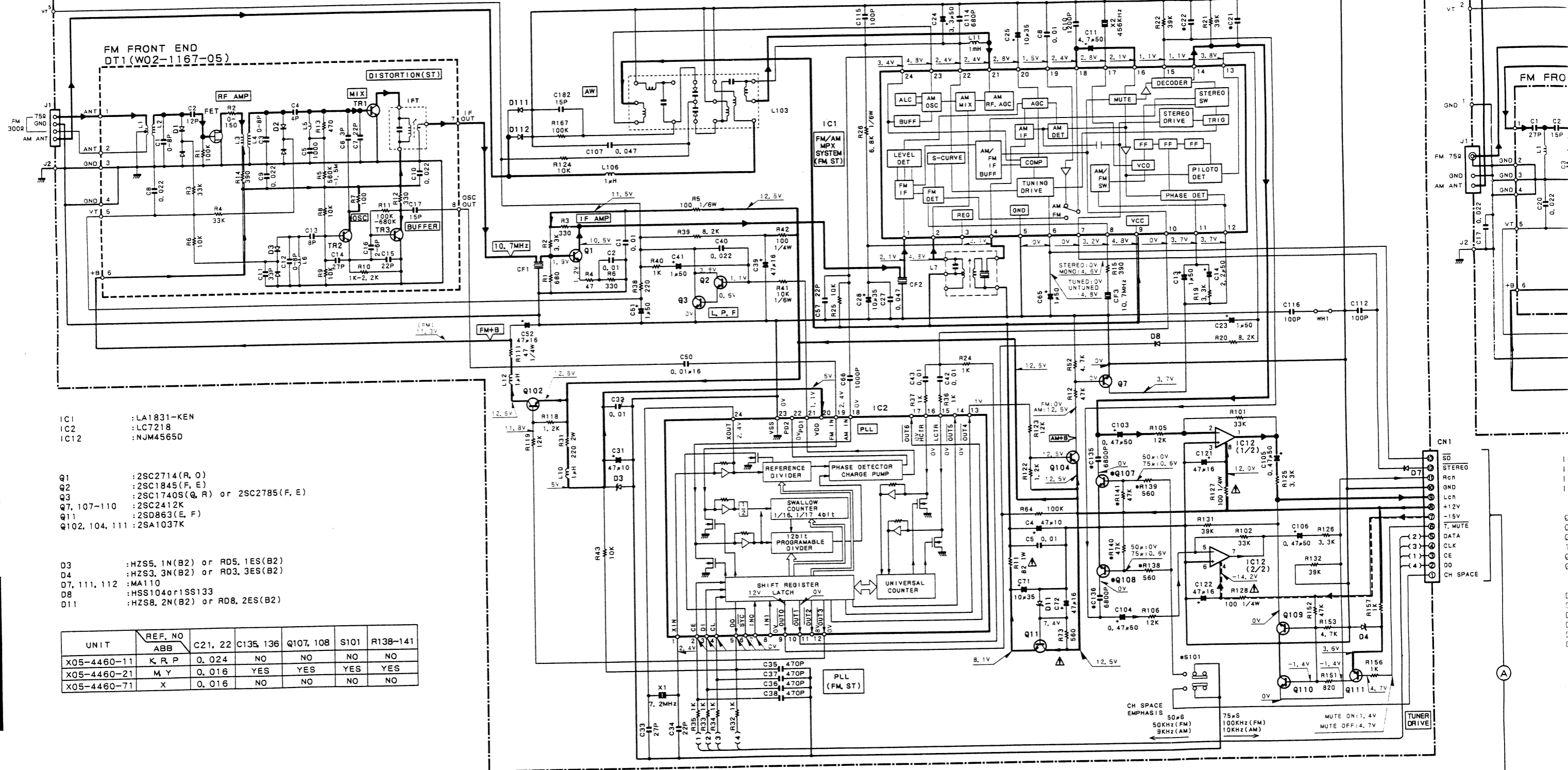
PC BOARD (Component side view)

DISPLAY UNIT(X14-388X-XX)



X05-4460-11(K, R, P) X05-4460-71(X) X05-4460-21(M, Y)

X05-4472-72 (

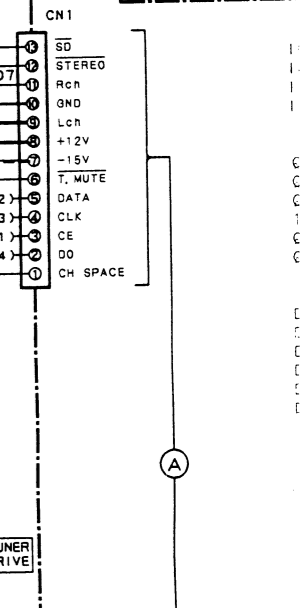


- IC1 :LA1831-KEN
- IC2 :LC7218
- IC12 :NJM4565D

- Q1 :2SC2714(R, O)
- Q2 :2SC1845(F, E)
- Q3 :2SC1740S(Q, R) or 2SC2785(F, E)
- Q7, 107-110 :2SC2412K
- Q11 :2SD863(E, F)
- Q102, 104, 111 :2SA1037K

- D3 :HZS5, 1N(B2) or R05, 1ES(B2)
- D4 :HZS3, 3N(B2) or R03, 3ES(B2)
- D7, 111, 112 :MA110
- D8 :HSS104 or 1SS133
- D11 :HZS8, 2N(B2) or R08, 2ES(B2)

UNIT	REF. NO ABB	C21, 22	C135, 136	Q107, 108	S101	R138-141
X05-4460-11	K, R, P	0.024	NO	NO	NO	NO
X05-4460-21	M, Y	0.016	YES	YES	YES	YES
X05-4460-71	X	0.016	NO	NO	NO	NO



CH SPACE EMPHASIS 50µS
 50KHz(FM)
 9KHz(AM)

75µS
 100KHz(FM)
 10KHz(AM)

MUTE ON: 1.4V
 MUTE OFF: 4.7V

TUNER DRIVE

2

3

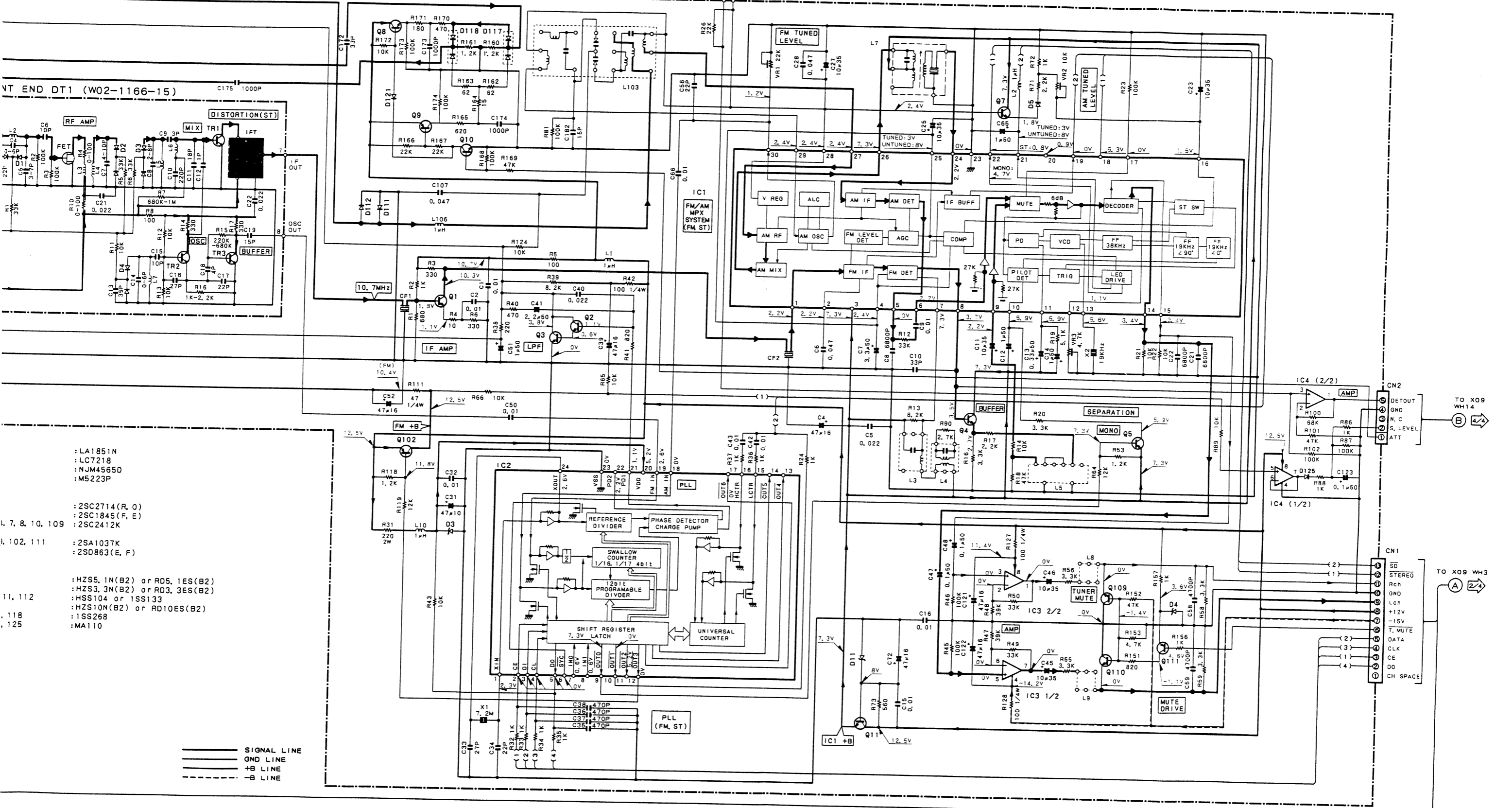
4

5

6

7

(KR-V6060 E, T TYPE ONLY)



- : LA1851N
- : LC7218
- : NJM4565D
- : M5223P

- : 2SC2714(R, O)
- : 2SC1845(F, E)
- : 2SC2412K

- : 2SA1037K
- : 2SD863(E, F)

- : HZS5, 1N(B2) or RD5, 1ES(B2)
- : HZS3, 3N(B2) or RD3, 3ES(B2)
- : HSS104 or 1SS133
- : HZS10N(B2) or RD10ES(B2)
- : 1SS268
- : MA110

— SIGNAL LINE
 — GND LINE
 — +B LINE
 - - - -B LINE

DC voltages are as measured with a high impedance voltmeter. Values may vary slightly due to variations between individual instruments or/and units.

Les tensions c.c. doivent être mesurées avec un voltmètre à haute impédance. Les valeurs peuvent différer légèrement du fait des variations inhérentes aux appareils et aux instruments de mesure individuels.

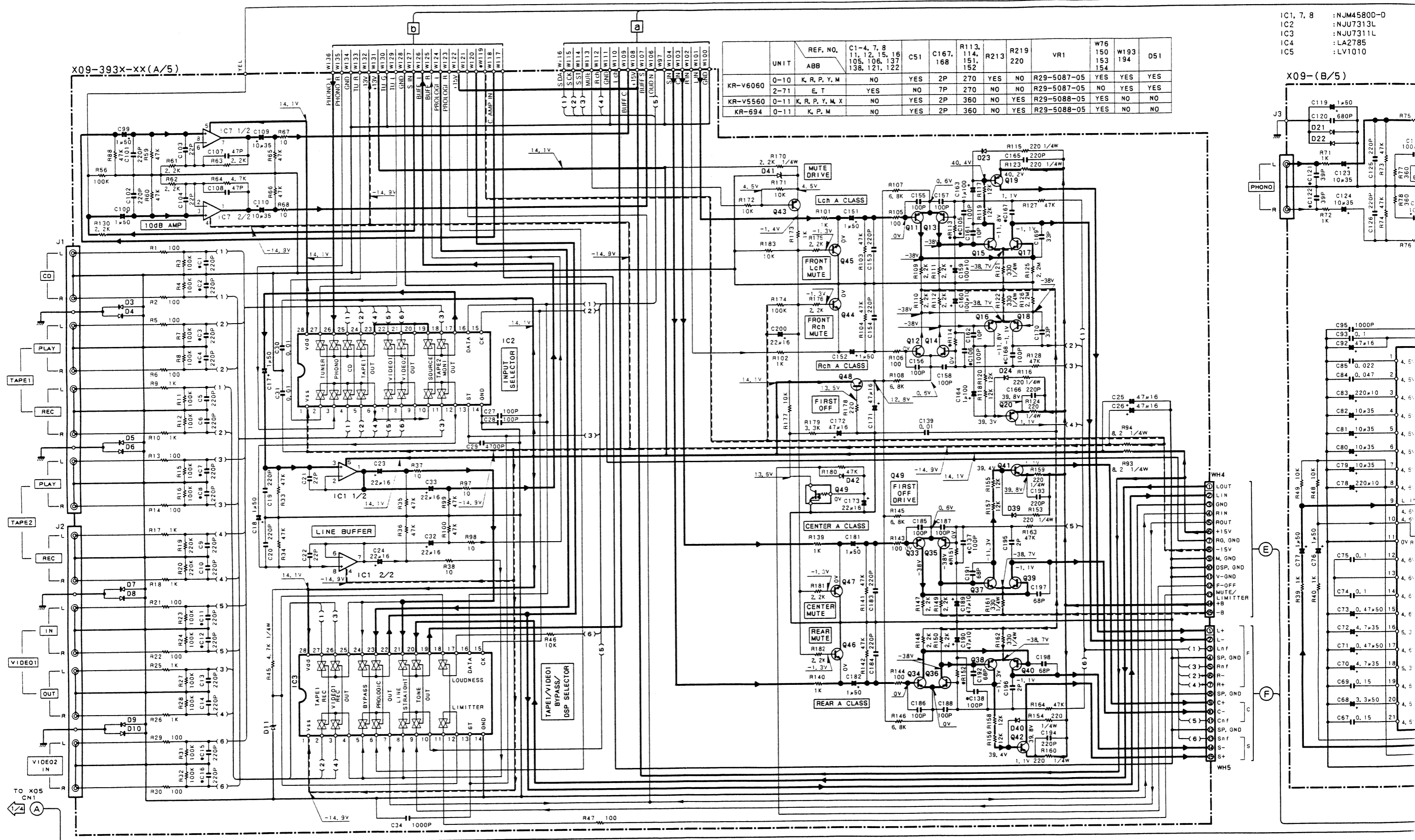
Die angegebenen Gleichspannungswerte wurden mit einem hochohmigen Spannungsmesser gemessen. Dabei schwanken die Meßwerte aufgrund von Unterschieden zwischen einzelnen Instrumenten oder Geräten u. U.geringfügig.

CAUTION: For continued safety, replace safety critical components only with manufacturer's recommended parts (refer to parts list) Δ Indicates safety critical components. To reduce the risk of electric shock, leakage-current or resistance measurements shall be carried out (exposed parts are acceptably insulated from the supply circuit) before the appliance is returned to the customer.

X09-393X-XX(A/5)

X09-(B/5)

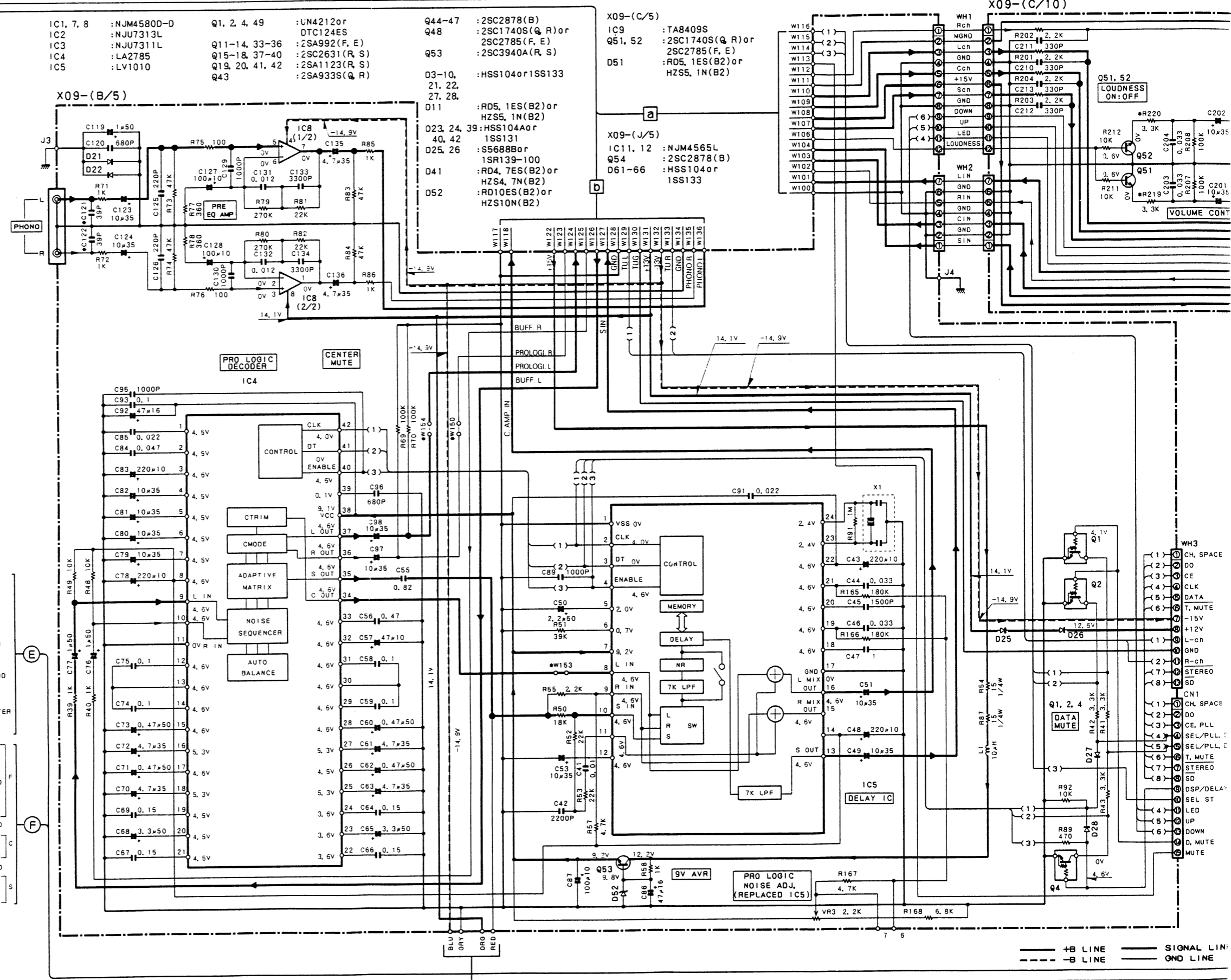
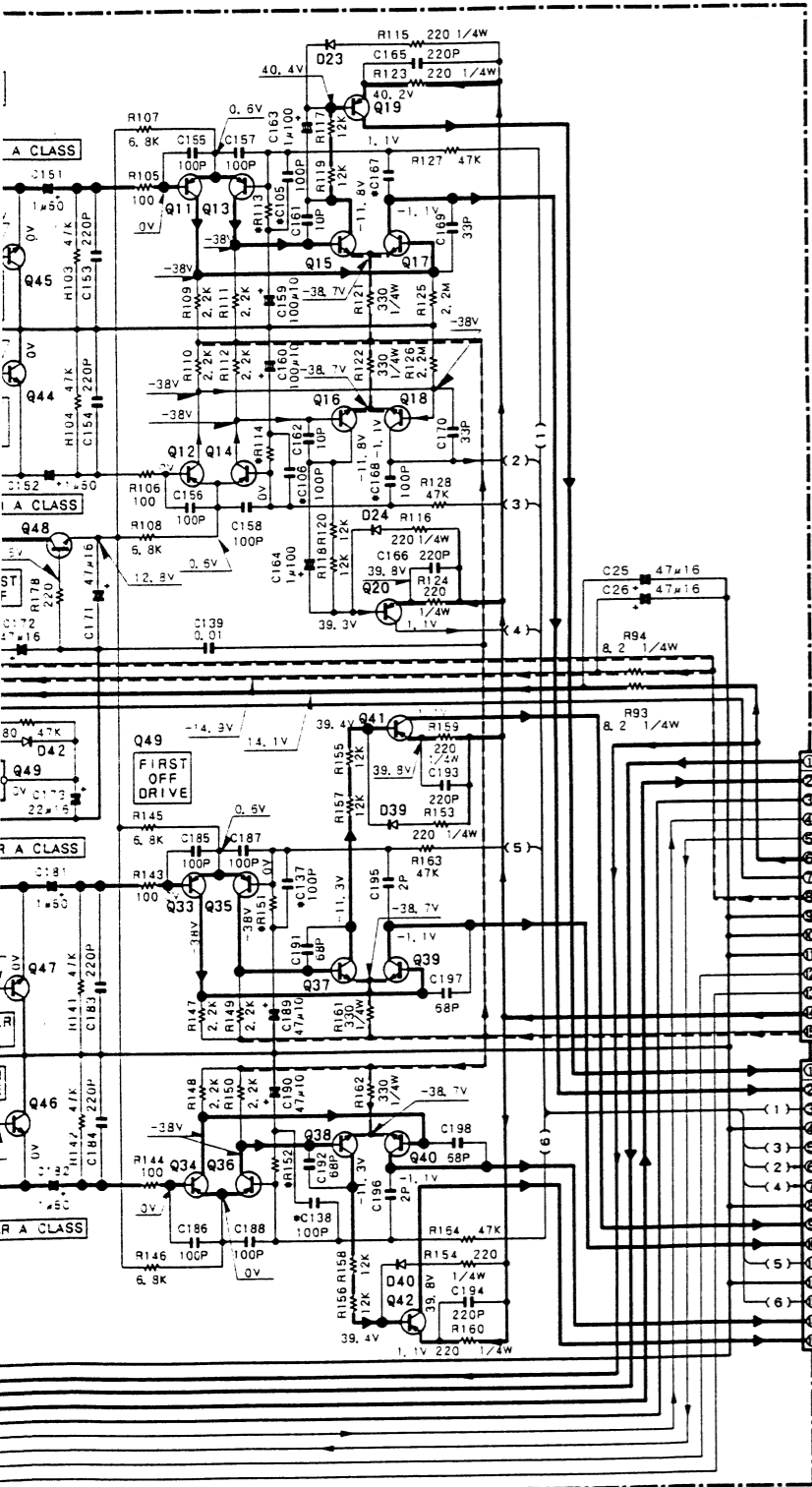
UNIT	REF. NO.	C1-4, 7, 8	C51	C167, 168	R113, 114, 151, 152	R213	R219, 220	VR1	W76, 150, 153, 154	W193, 194	D51	
KR-V6060	0-10	K, R, P, Y, M	NO	YES	2P	270	YES	NO	R29-5087-05	YES	YES	YES
	2-71	E, T	YES	NO	7P	270	NO	NO	R29-5087-05	NO	YES	YES
KR-V5560	0-11	K, R, P, Y, M, X	NO	YES	2P	360	NO	YES	R29-5088-05	YES	NO	NO
	KR-694	0-11	K, P, M	NO	YES	2P	360	NO	YES	R29-5088-05	YES	NO



- IC1, 7, 8 : NJM45800-D
- IC2 : NJU7313L
- IC3 : NJU7311L
- IC4 : LA2785
- IC5 : LV1010

- 2SA1123
- 2SC2003
- 2SA1534A
- 2SC2631
- 2SA992
- 2SC2878
- 2SC1845
- 2SC3940A
- 2SD863
- 2SD1493BT
- 2SA1175
- DTA124ES
- DTC124ES
- UN4112
- 2SA933S
- 2SC1740S
- 2SA1037K
- 2SC2412K
- 2SC2714
- 2SB1470BT
- 2SD2222BT
- 2SD2061
- UN4212
- 2SD2012
- 2SD2374
- NJM4565D
- NJM2277

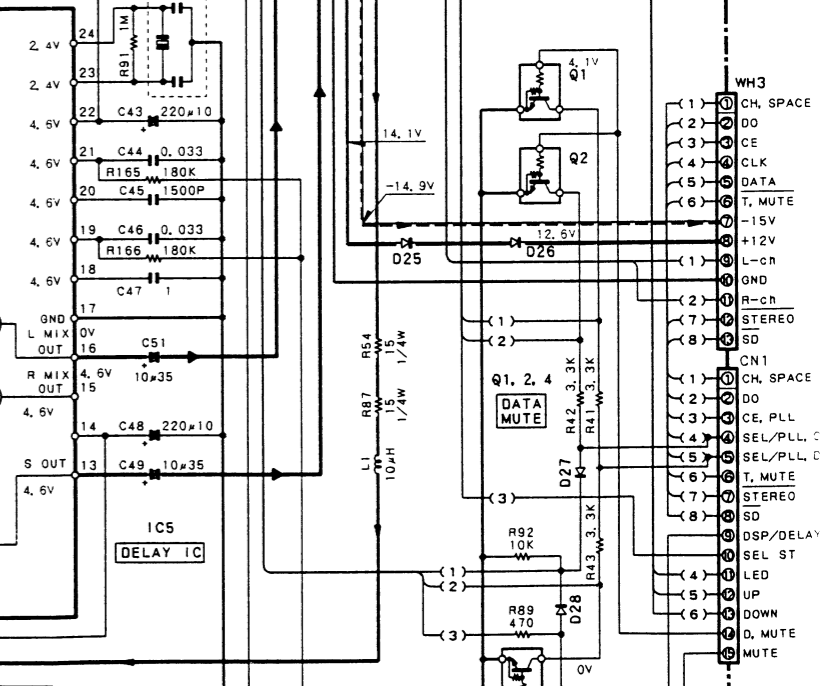
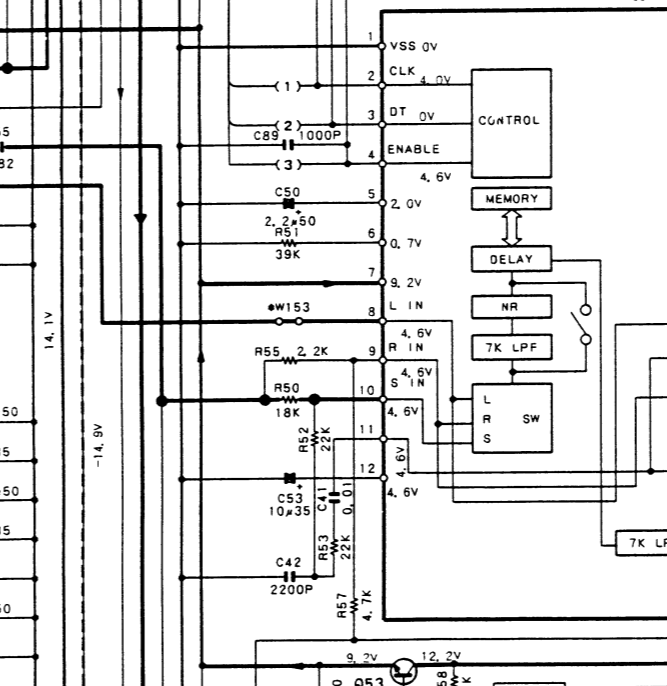
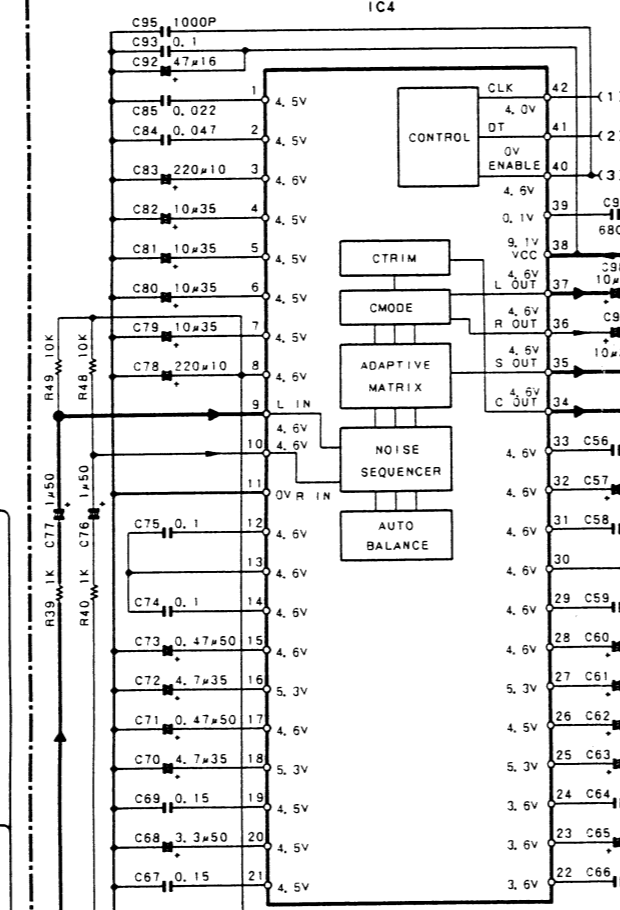
C1-4, 7, 8	C51	C167	R113, 114, 151, 152	R213	R219	VR1	W76	W193	D51
11, 12, 15, 16, 105, 106, 137, 138, 121, 122	YES	2P	270	YES	NO	R29-5087-05	YES	YES	YES
	NO	7P	270	NO	NO	R29-5087-05	NO	YES	YES
	YES	2P	360	NO	YES	R29-5088-05	YES	NO	NO
	NO	YES	2P	360	NO	R29-5088-05	YES	NO	NO



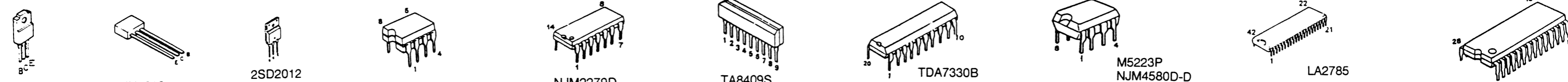
- IC1, 7, 8 : NJM4580D-D
 IC2 : NJU7313L
 IC3 : NJU7311L
 IC4 : LA2785
 IC5 : LV1010
- Q1, 2, 4, 49 : UN4212or DTC124ES
 Q11-14, 33-36 : 2SA992(F, E)
 Q15-18, 37-40 : 2SC2631(R, S)
 Q19, 20, 41, 42 : 2SA1123(R, S)
 Q43 : 2SA933S(Q, R)

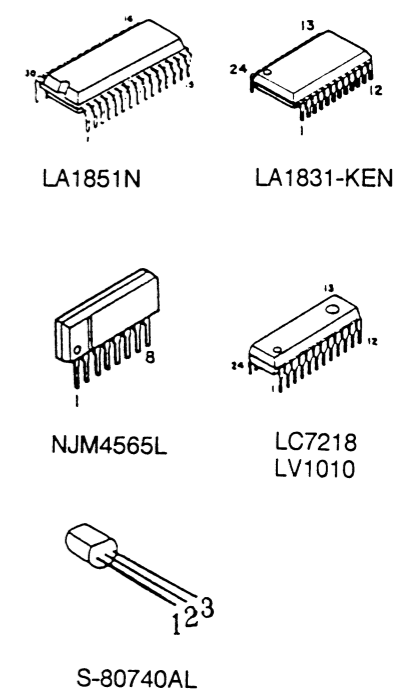
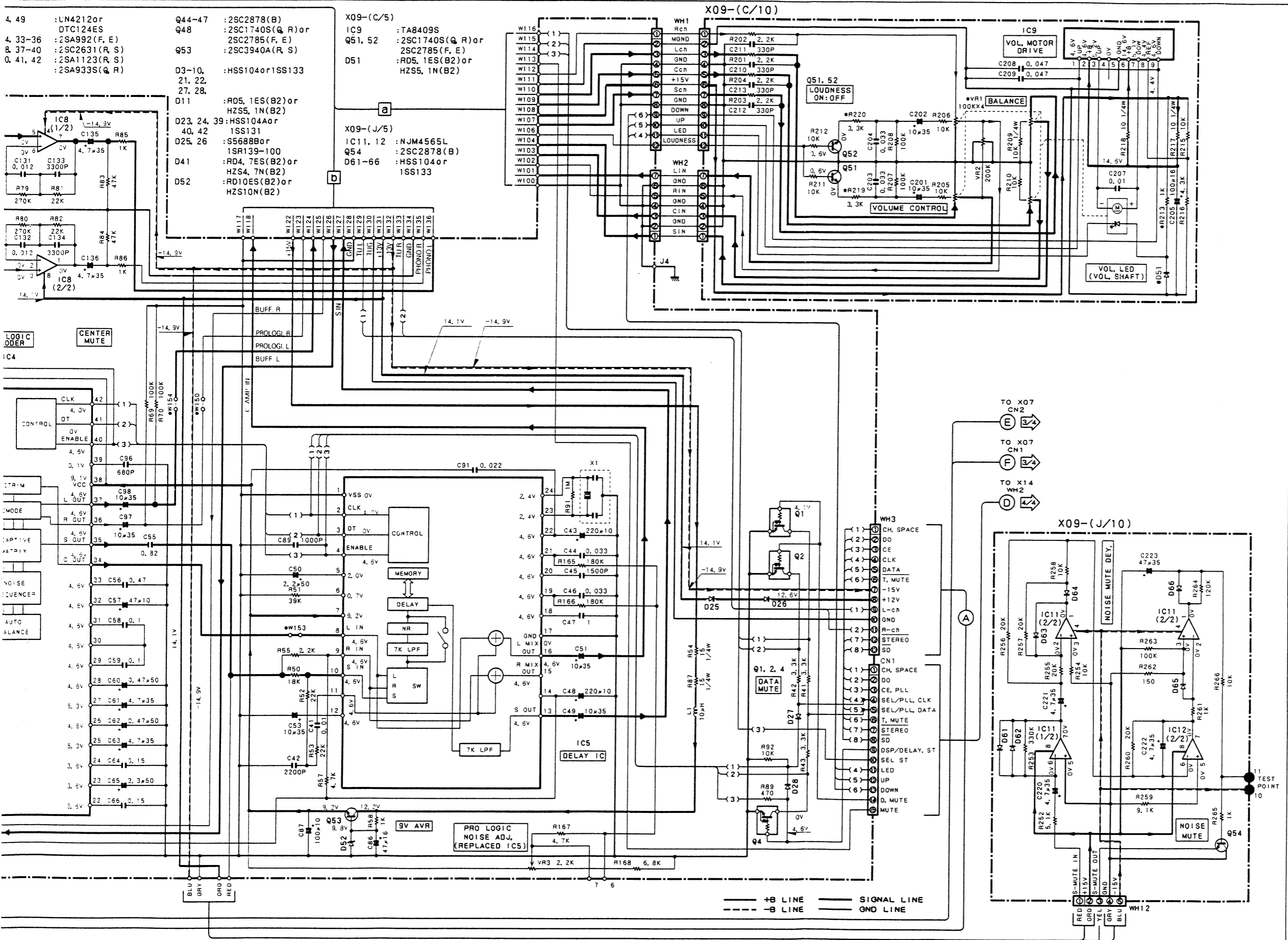
- Q44-47 : 2SC2878(B)
 Q48 : 2SC1740S(Q, R)or 2SC2785(F, E)
 Q53 : 2SC3940A(R, S)
- D3-10, 21, 22, 27, 28, D11 : RD5, 1ES(B2)or HZS5, 1N(B2)
 D23, 24, 39 : HSS104Aor 1SS131
 D25, 26 : S5688Bor 1SR139-100
 D41 : RD4, 7ES(B2)or HZS4, 7N(B2)
 D52 : RD10ES(B2)or HZS10N(B2)

- X09-(C/5)
 IC9 : TA8409S
 Q51, 52 : 2SC1740S(Q, R)or 2SC2785(F, E)
 D51 : RD5, 1ES(B2)or HZS5, 1N(B2)
- X09-(J/5)
 IC11, 12 : NJM4565L
 Q54 : 2SC2878(B)
 D61-66 : HSS104or 1SS133



--- +B LINE
 --- -B LINE
 --- SIGNAL LINE
 --- GND LINE



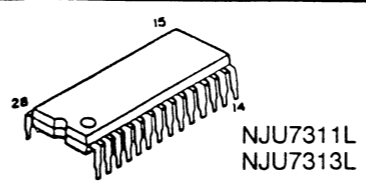
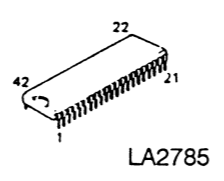
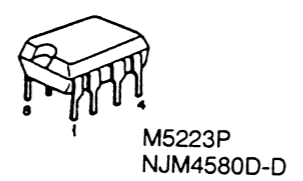
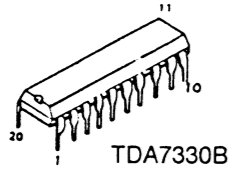
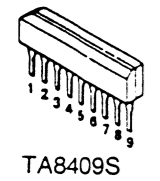


DC voltages are as measured with a high impedance voltmeter. Values may vary slightly due to variations between individual instruments or/and units.

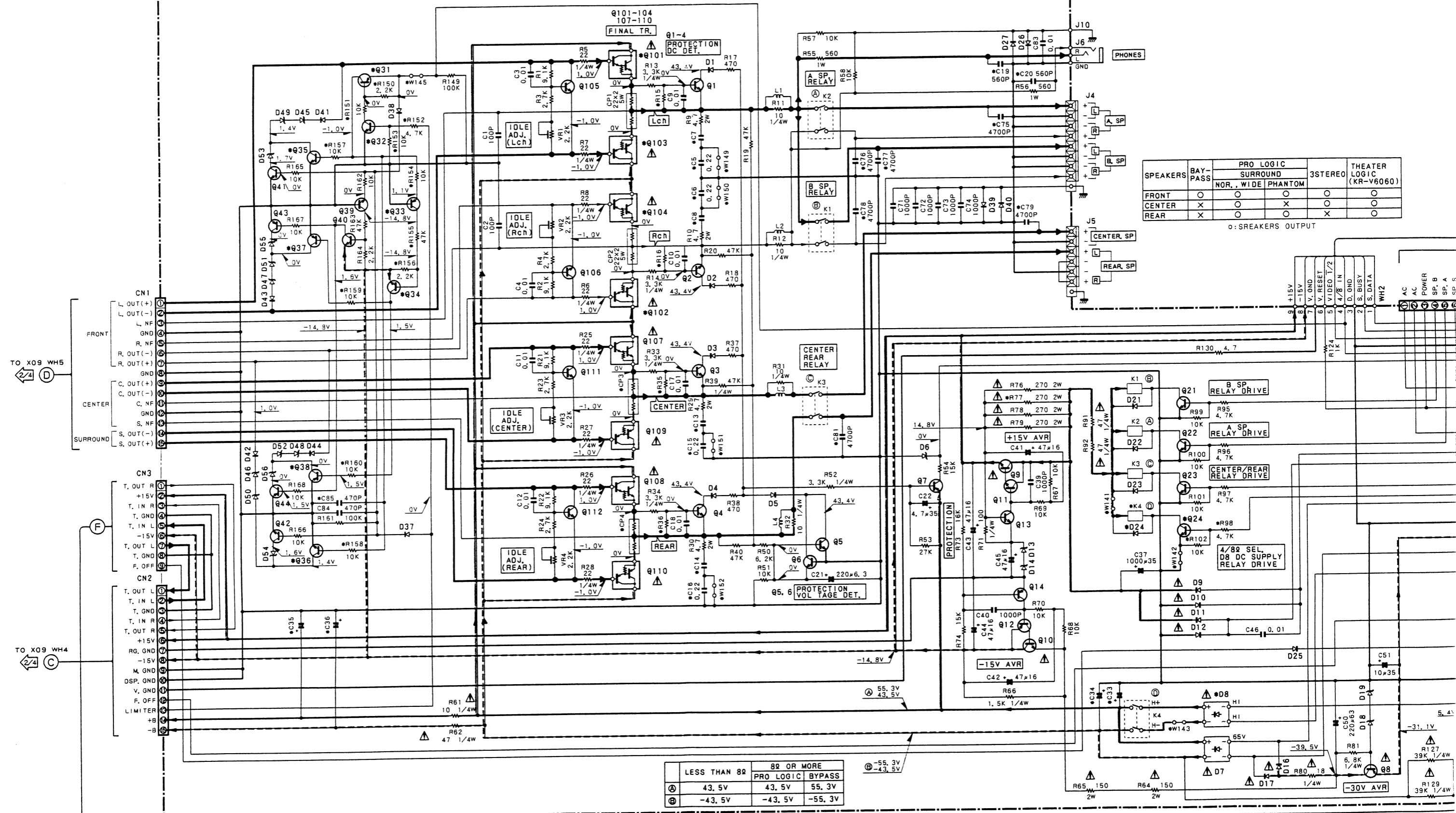
Les tensions c.c. doivent être mesurées avec un voltmètre à haute impédance. Les valeurs peuvent différer légèrement du fait des variations inhérentes aux appareils et aux instruments de mesure individuels.

Die angegebenen Gleichspannungswerte wurden mit einem hochohmigen Spannungsmessgerät gemessen. Dabei schwanken die Meßwerte aufgrund von Unterschieden zwischen einzelnen Instrumenten oder Geräten u. U.geringfügig.

CAUTION : For continued safety, replace safety critical components only with manufacturer's recommended parts (refer to parts list) Δ Indicates safety critical components. To reduce the risk of electric shock, leakage-current or resistance measurements shall be carried out (exposed parts are acceptably insulated from the supply circuit) before the appliance is returned to the customer.



X07-277X-XX (A/6) X07-278X-XX (A/6)



SPEAKERS	BAY-PASS	PRO LOGIC			THEATER LOGIC (KR-V6060)
		SURROUND	3STEREO		
FRONT	<input type="checkbox"/>	<input type="checkbox"/>	<input type="checkbox"/>	<input type="checkbox"/>	<input type="checkbox"/>
CENTER	<input checked="" type="checkbox"/>	<input type="checkbox"/>	<input checked="" type="checkbox"/>	<input type="checkbox"/>	<input type="checkbox"/>
REAR	<input checked="" type="checkbox"/>	<input type="checkbox"/>	<input type="checkbox"/>	<input checked="" type="checkbox"/>	<input type="checkbox"/>

o: SPEAKERS OUTPUT

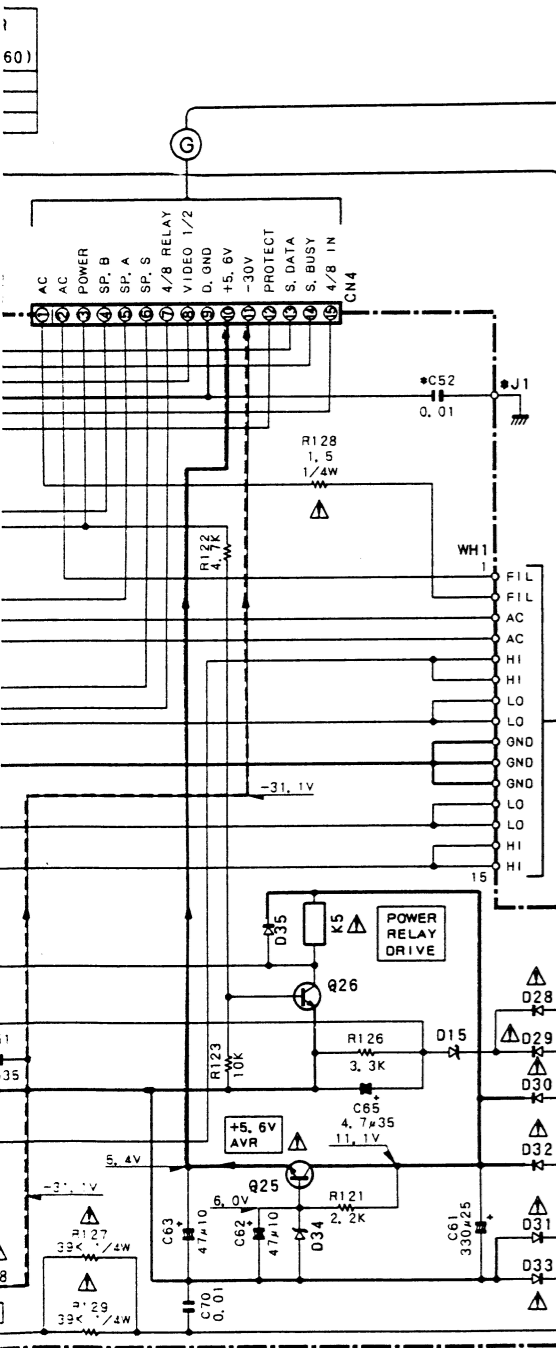
	LESS THAN 8Ω	8Ω OR MORE
Ⓐ	43.5V	43.5V 55.3V
Ⓑ	-43.5V	-43.5V -55.3V

2
3
4
5
6

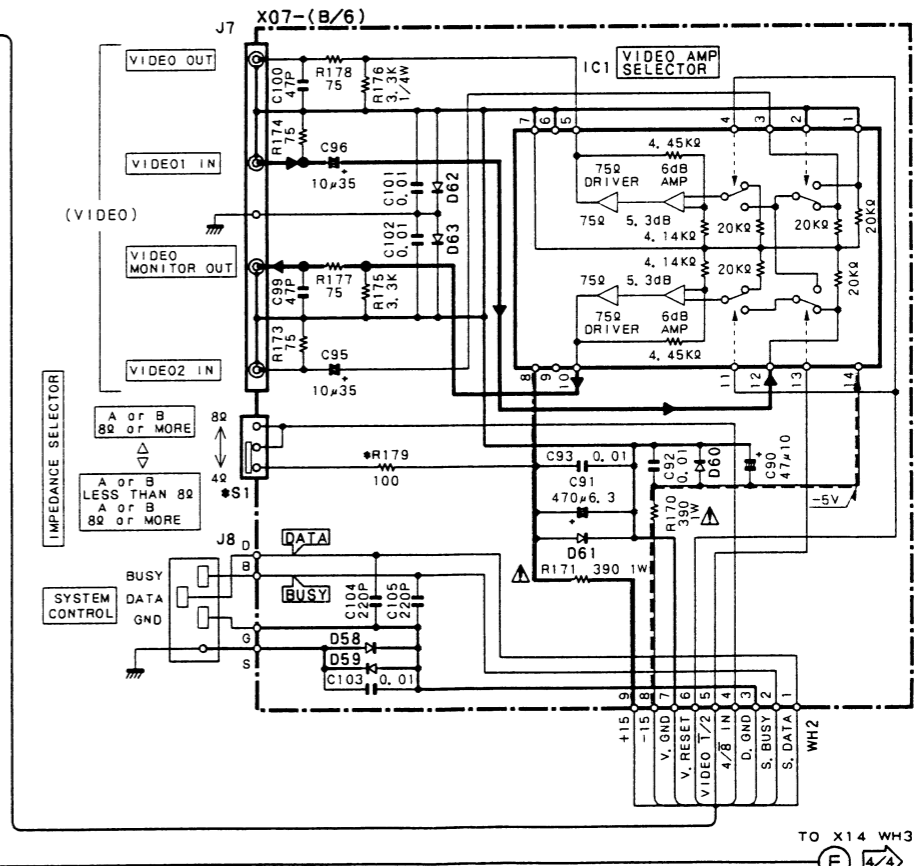
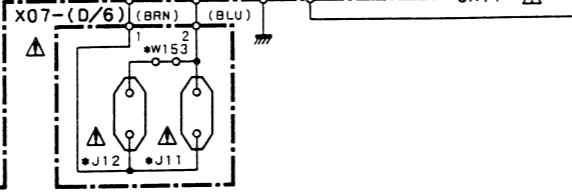
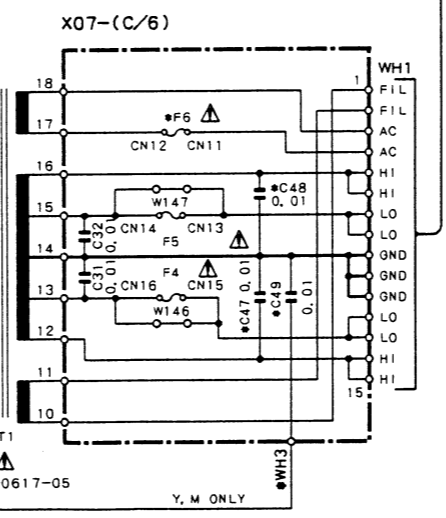
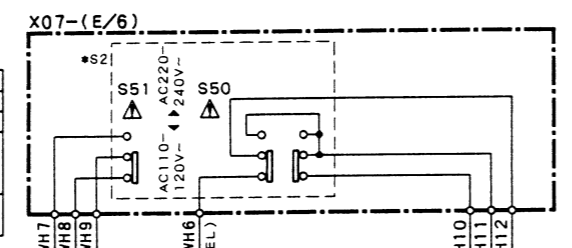
Ref. NO.	DESTINATION	CN7, 8 S2	CN9, 10	Q24, 31-38	Q8, 24	C7, 8, 13, 14	C5, 6 15, 16	W149- 152	C19, 20	C33, 34	C35	C36	C47, 48 85	C49, 52, 75-79 81	R15, 16	R35, 36	R77	R98, 152	R102, 151, 153 154, 157-160	R119	R150, 156	R155	R179	CP3, 4	J1	J3	J11, 12	K4	S1	Q101, 102	Q103, 104
KR-V6060	X07-277	0-10 K, R 1-01 P	NO	NO	NO	0.1μ	NO	YES	NO					NO	910	680	NO	YES	YES	3.3M 1/2W	YES	YES	YES	0.33x2 5W	NO	YES	NO	YES	YES	2SD2222BT	2SB1470BT
	X07-278	2-70 E 0-21 M 2-91 Y 0-51 T	YES	YES	YES	0.22μ	NO	YES	YES	6800μ71	10μ100	330μ100	YES	YES			YES	NO	NO	NO	NO	NO	NO	NO	NO	NO	NO	NO	NO	NO	NO
	X07-277	0-11 K, R 1-02 P	NO	NO	NO	0.1μ	NO	YES	NO				NO	NO	1.1K	1.1K	NO	NO	NO	NO	NO	NO	NO	0.22x2 5W	NO	YES	NO	NO	NO	2SD2255BT	2SB1493BT
	X07-278	0-22 M 2-92 Y 0-71 X	YES	YES	NO	NO	NO	YES	NO	6800μ63	10μ63	330μ63	NO	NO			NO	NO	NO	NO	NO	NO	NO	NO	NO	NO	NO	NO	NO	NO	NO
KR-V5560	X07-277	0-11 K, R 1-02 P	NO	NO	NO	0.1μ	NO	YES	NO				NO	NO	1.1K	1.1K	NO	NO	NO	NO	NO	NO	NO	0.22x2 5W	NO	YES	NO	NO	NO	2SD2255BT	2SB1493BT
	X07-278	0-22 M 2-92 Y 0-71 X	YES	YES	NO	NO	NO	YES	NO	6800μ63	10μ63	330μ63	NO	NO			NO	NO	NO	NO	NO	NO	NO	NO	NO	NO	NO	NO	NO	NO	NO
KR-694	X07-277	0-11 K, R 1-02 P	NO	NO	NO	0.1μ	NO	YES	NO				NO	NO	1.1K	1.1K	NO	NO	NO	NO	NO	NO	NO	0.22x2 5W	NO	YES	NO	NO	NO	2SD2255BT	2SB1493BT
	X07-278	0-22 M	YES	YES	NO	NO	NO	YES	NO	6800μ63	10μ63	330μ63	NO	NO			NO	NO	NO	NO	NO	NO	NO	NO	NO	NO	NO	NO	NO	NO	NO

IC1 : NJM2279D	D1-5, 28, 29 : HSS104A or ISS131
Q1-6, 35, 36 : 2SC1845(F, E)	41-44 : RD5, 1ES(B2) or HZS5, 1N(B2)
41, 42 : 2SA992(F, E)	60, 61 : D5SBA20F03 or RBV-602LFA
Q7, 37, 38 : 2SA1534A(R, S)	09-12, 16, 17 : S5688B or 1SR139-100
43, 44 : 2SD2374 or 2SD2012 or 2SD2061	D13, 34 : RD6, 2ES(B2) or HZS6, 2N(B2)
Q8 : 2SA1534A(R, S)	D14 : RD8, 2ES(B2) or HZS8, 2N(B2)
Q9, 10 : 2SD2374 or 2SD2012 or 2SD2061	D15 : RD2, 7ES(B2) or HZS2, 7N(B2)
Q11, 13, 21-24 : 2SC1740S(Q, R)	D18, 19 : RD16ES(B2) or HZS16N(B2)
32, 34, 40 : 2SC2785(F, E)	D21-27, 35, 37-40 : HSS104 or ISS133
Q12, 14, 31 : 2SA933S(Q, R)	58, 59, 62, 63 : RD13ES(B2) or HZS13N(B2)
33, 39 : 2SA1175(F, E)	D45-52 : RD13ES(B2) or HZS13N(B2)
Q25 : 2SC3940A(R, S)	
Q26 : 2SC2003(L, K)	
Q101, 102 : *	
Q103, 104 : *	
Q105, 106 : 2SC4137F19(V, W)	
111, 112 : *	
Q107, 108 : 2SD2255BT	

Ref. NO.	DESTINATION	WH3	WH6-12	WH13, 14	W141-143 145	W148	W153	W154	F1	F2	F3	F6
KR-V6060	X07-277	0-10 K, R 1-01 P	NO	NO	NO	YES	NO	YES	6A 125V	NO	NO	1A 250V
	X07-278	2-70 E 0-21 M 2-91 Y 0-51 T	NO	YES	NO	NO	YES	NO	T3, 15A L 250V	T3, 15A L 250V	T2, 5A L 250V NO	T1A L 250V
KR-V5560	X07-277	0-11 K, R 1-02 P	NO	NO	NO	YES	NO	YES	6A 125V	NO	NO	1A 250V
	X07-278	0-22 M 2-92 Y 0-71 T	NO	YES	NO	NO	YES	NO	T3, 15A L 250V	T3, 15A L 250V	T2, 5A L 250V	T1A L 250V
KR-V694	X07-277	0-11 K, R 1-02 P	NO	NO	NO	YES	NO	YES	6A 250V	NO	NO	1A 250V
	X07-278	0-22 M	YES	YES	NO	NO	YES	NO	T3, 15A L 250V	T3, 15A L 250V	T2, 5A L 250V	T1A L 250V



CONNECTER	WH2	CN2
8P STEREO	LO	LO
A+B	LO	HI
SURROUND	LO	LO
4P STEREO	HI	LO
SURROUND	HI	HI

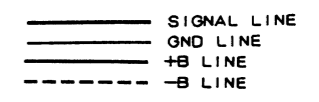


DC voltages are as measured with a high impedance voltmeter. Values may vary slightly due to variations between individual instruments or/and units.

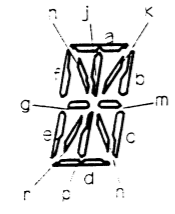
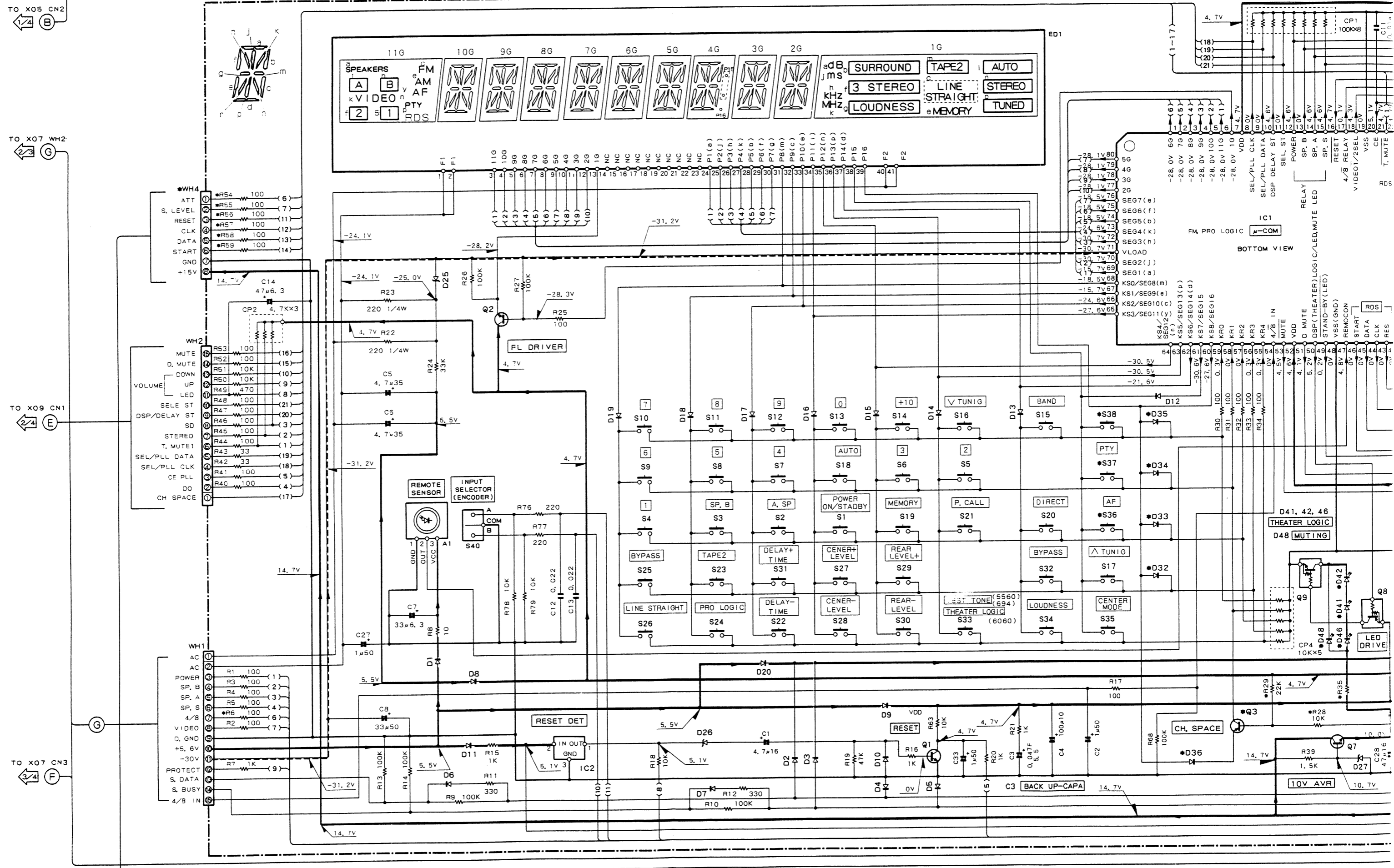
Les tensions c.c. doivent être mesurées avec un voltmètre à haute impédance. Les valeurs peuvent différer légèrement du fait des variations inhérentes aux appareils et aux instruments de mesure individuels.

Die angegebenen Gleichspannungswerte wurden mit einem hochohmigen Spannungsmesser gemessen. Dabei schwanken die Meßwerte aufgrund von Unterschieden zwischen einzelnen Instrumenten oder Geräten u. U.geringfügig.

CAUTION : For continued safety, replace safety critical components only with manufacturer's recommended parts (refer to parts list) Δ Indicates safety critical components. To reduce the risk of electric shock, leakage-current or resistance measurements shall be carried out (exposed parts are acceptably insulated from the supply circuit) before the appliance is returned to the customer.



X14-387X-XX



- WH4
- ATT (6)
- S. LEVEL (7)
- RESET (11)
- CLK (12)
- DATA (13)
- START (14)
- GND
- +15V

- WH2
- MUTE (16)
- D. MUTE (15)
- DOWN (10)
- VOLUME UP (9)
- LED (8)
- SELE ST (21)
- DSP/DELAY ST (20)
- SD (3)
- STEREO (2)
- T. MUTE1 (1)
- SEL/PLL DATA (19)
- SEL/PLL CLK (18)
- CE PLL (5)
- DO (4)
- CH SPACE (17)

- WH1
- AC (1)
- AC (2)
- POWER (3)
- SP. B (2)
- SP. A (3)
- SP. S (4)
- 4/8 (6)
- VIDEO (7)
- D. GND
- +5. 6V
- 30V
- PROTECT
- S. DATA
- S. BUSY
- 4/8 IN

IC1
FM PRO LOGIC
-COM

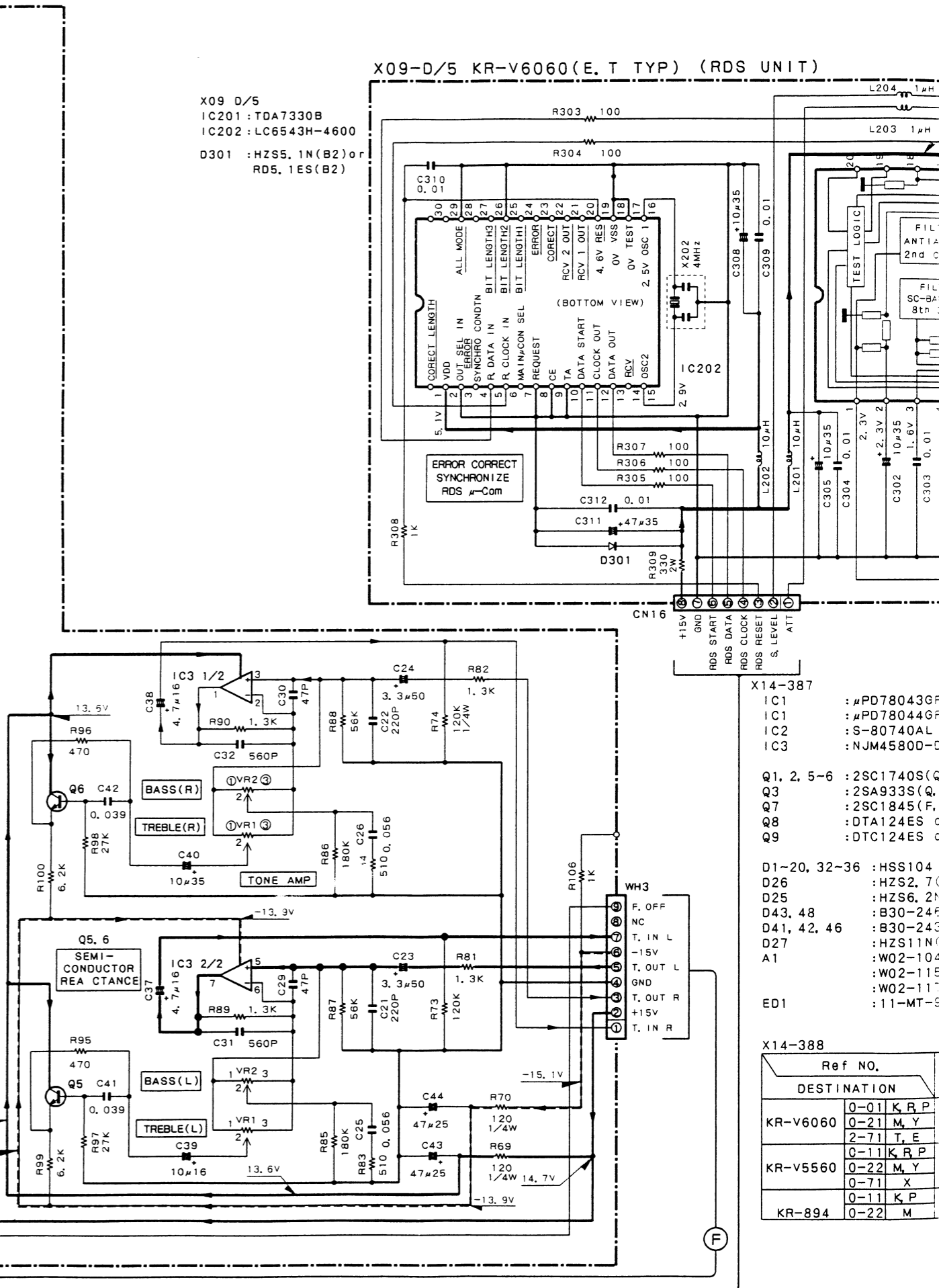
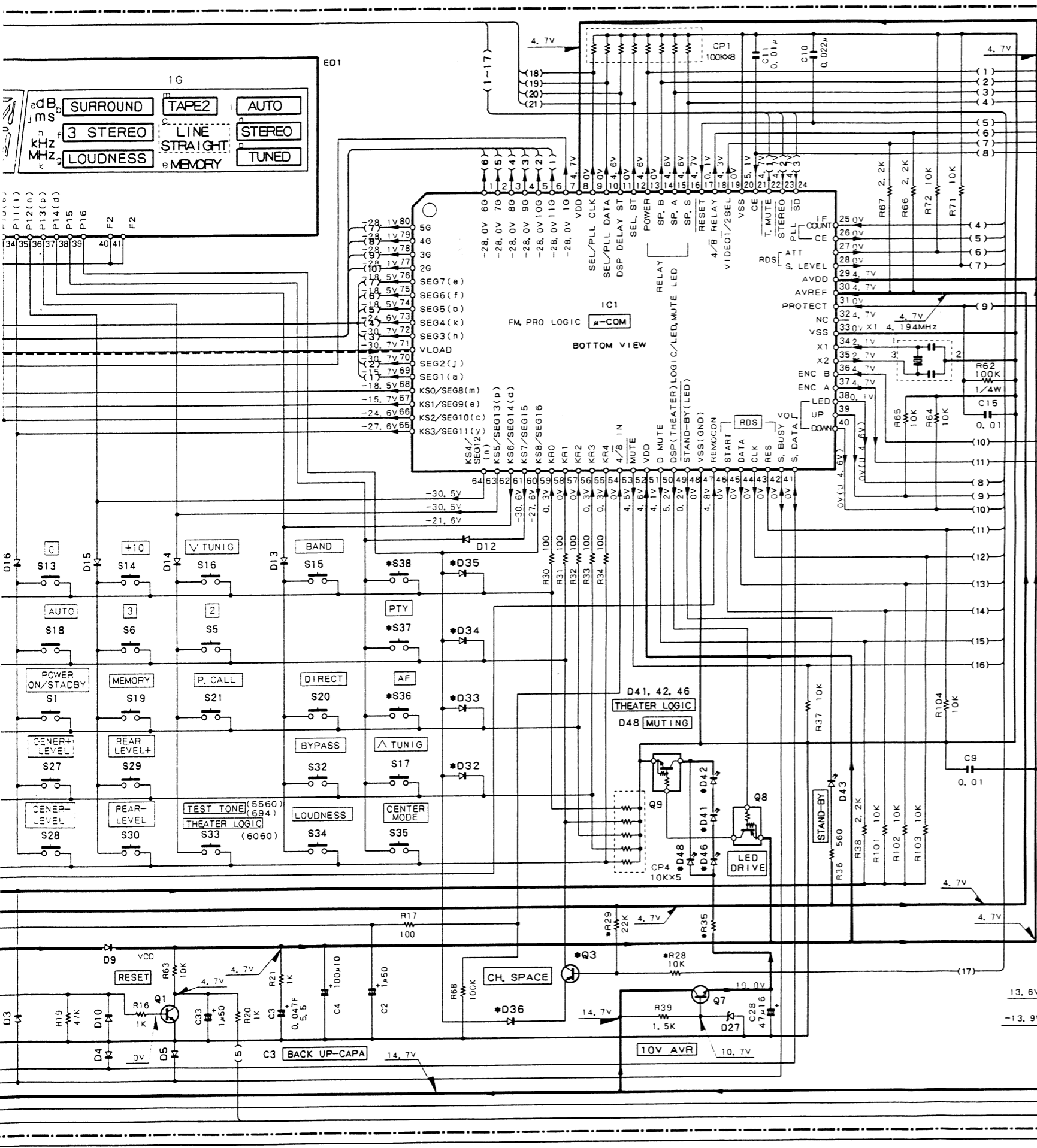
BOTTOM VIEW

D41, 42, 46
THEATER LOGIC

D48
MUTING

LED DRIVE

10V AVR



X09 D/5
 IC201 : TDA7330B
 IC202 : LC6543H-4600
 D301 : HZS5.1N(B2) or
 RDS.1ES(B2)

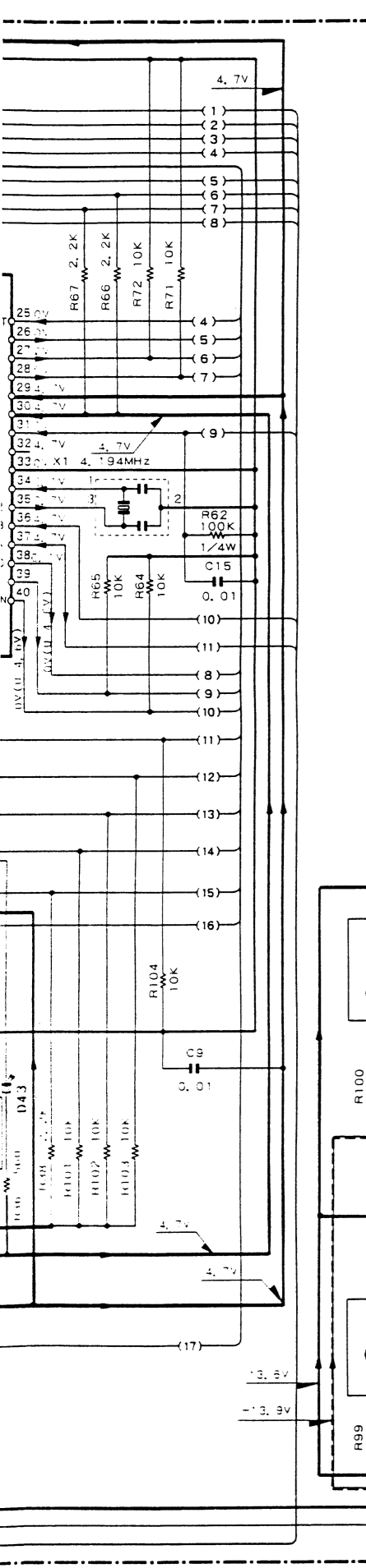
X14-387
 IC1 : μPD78043GF
 IC1 : μPD78044GF
 IC2 : S-80740AL
 IC3 : NJM4580D-C

Q1, 2, 5-6 : 2SC1740S(G)
 Q3 : 2SA933S(Q)
 Q7 : 2SC1845(F)
 Q8 : DTA124ES C
 Q9 : DTC124ES C

D1-20, 32-36 : HSS104
 D26 : HZS2.7
 D25 : HZS6.2N
 D43, 48 : B30-24F
 D41, 42, 46 : B30-24C
 D27 : HZS11N
 A1 : WQ2-104
 : WQ2-11E
 : WQ2-11F
 ED1 : 11-MT-5

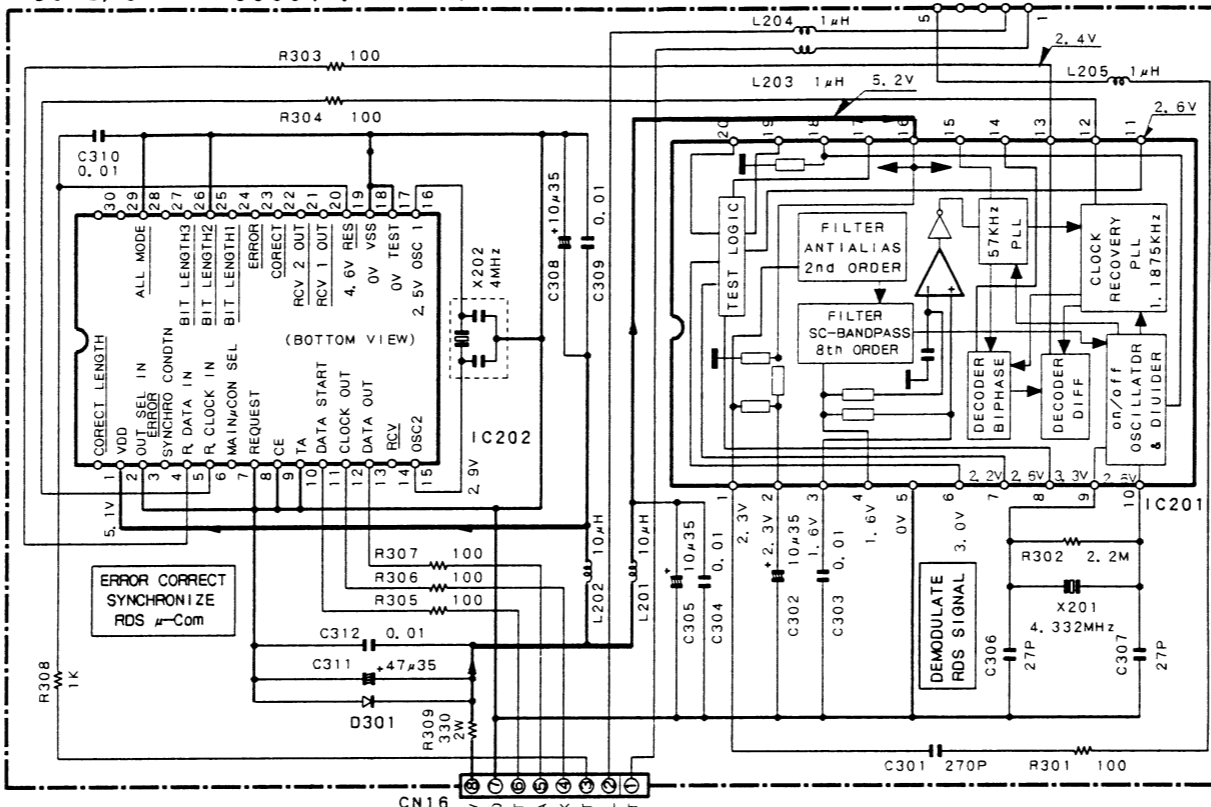
X14-388

Ref NO.	DESTINATION
KR-V6060	0-01 K R P
	0-21 M Y
	2-71 T E
KR-V5560	0-11 K R P
	0-22 M Y
	0-71 X
	0-11 K P
KR-894	0-22 M



X09 0/5
 IC201 : TDA7330B
 IC202 : LC6543H-4600
 D301 : HZS5.1N(B2) or
 RD5.1ES(B2)

X09-D/5 KR-V6060(E, T TYP) (RDS UNIT)



X14-387
 IC1 : PD78043GF-073
 IC2 : PD78044GF-075 (E, T TYPE)
 IC3 : S-80740AL
 IC4 : NJM4580D

Q1, 2, 5-6 : 2SC1740S(Q, R) or 2SC2785(F, E)
 Q3 : 2SA933S(Q, R) or 2SA1175(F, E)
 Q7 : 2SC1845(F, E)
 Q8 : DTA124ES or UN4112
 Q9 : DTC124ES or UN4212

D1-20, 32-36 : HSS104 or 1SS133
 D26 : HZS2.7(B2) or RD2.7ES(B2)
 D25 : HZS6.2N(B2) or RD6.2ES(B2)
 D43, 48 : B30-2461-05
 D41, 42, 46 : B30-2430-05
 D27 : HZS11N(B2) or RD11ES(B2)
 A1 : W02-1046-05
 : W02-1153-05
 : W02-1174-05
 ED1 : 11-MT-92GK

X14-388

Ref NO.	DESTINATION	R6	R28, R29	R35	R54-59	D32	D33	D34	D35	D36	D41, 42, 46	S36-38	WH4	Q3
KR-V6060	0-01 K, R, P	NO	NO	470	NO	YES	NO	NO	NO	NO	NO	NO	NO	NO
	0-21 M, Y	YES	YES	470	NO	YES	NO	NO	YES	YES	YES	NO	NO	YES
KR-V5560	0-11 K, R, P	NO	NO	1.8K	NO	NO	NO	NO	NO	NO	NO	NO	YES	YES
	0-22 M, Y	NO	YES	1.8K	NO	NO	NO	NO	YES	YES	NO	NO	YES	YES
KR-894	0-71 X	NO	NO	1.8K	NO	NO	NO	NO	NO	NO	NO	NO	NO	NO
	0-11 K, P	NO	NO	1.8K	NO	NO	NO	NO	NO	NO	NO	NO	YES	NO
KR-894	0-22 M	YES	YES	1.8K	NO	NO	NO	NO	YES	YES	NO	NO	YES	YES

— SIGNAL LINE
 — GND LINE
 — +B LINE
 - - - - -B LINE

DC voltages are as measured with a high impedance voltmeter. Values may vary slightly due to variations between individual instruments or/and units.

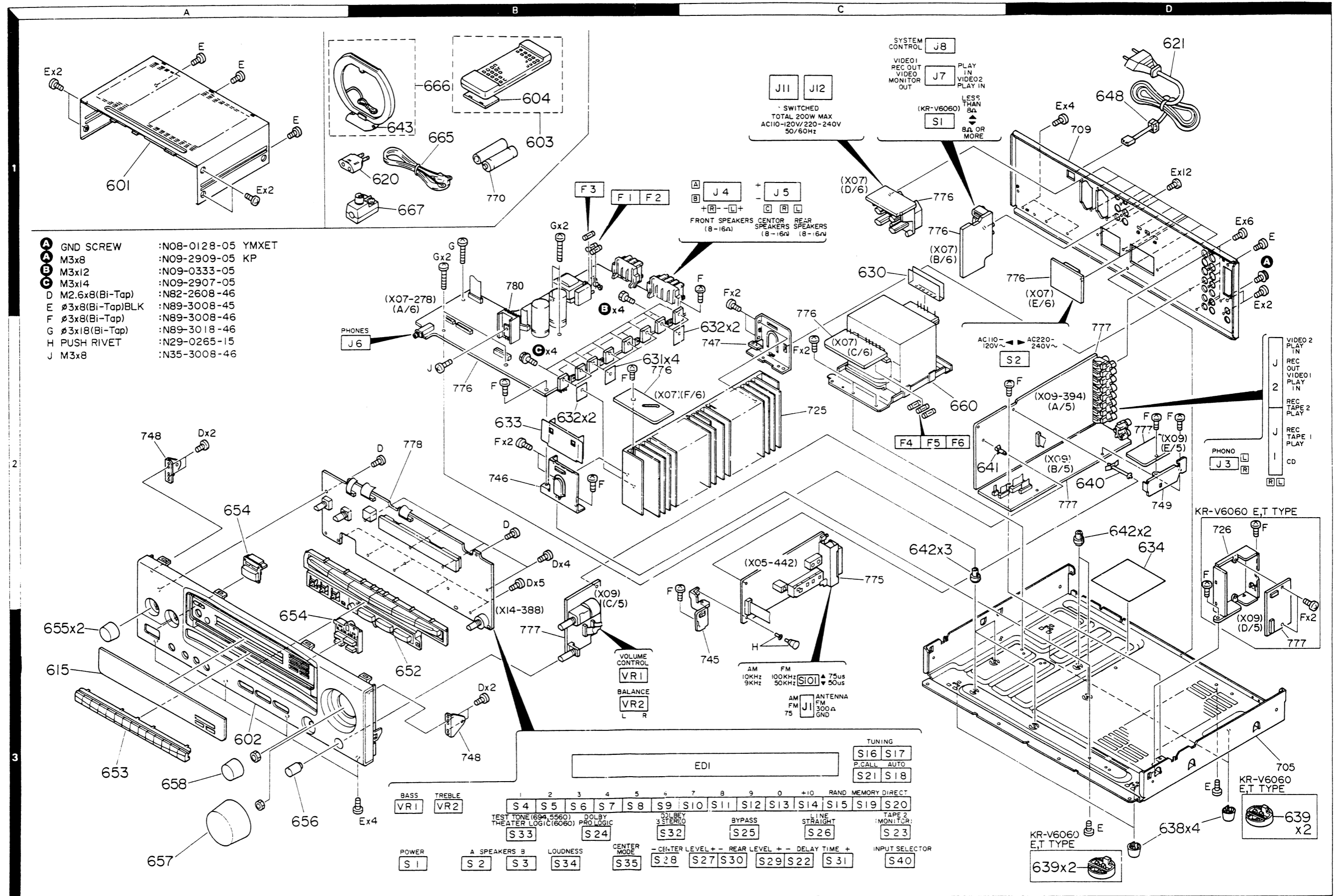
Les tensions c.c. doivent être mesurées avec un voltmètre à haute impédance. Les valeurs peuvent différer légèrement du fait des variations inhérentes aux appareils et aux instruments de mesure individuels.

Die angegebenen Gleichspannungswerte wurden mit einem hochohmigen Spannungsmesser gemessen. Dabei schwanken die Meßwerte aufgrund von Unterschieden zwischen einzelnen Instrumenten oder Geräten u. U.geringfügig.

CAUTION : For continued safety, replace safety critical components only with manufacturer's recommended parts (refer to parts list) Δ Indicates safety critical components. To reduce the risk of electric shock, leakage-current or resistance measurements shall be carried out (exposed parts are acceptably insulated from the supply circuit) before the appliance is returned to the customer.

KR-694/V5560/V6060 KR-694/V5560/V6060

EXPLODED VIEW (UNIT)



KR-694/V5560/V6060

PARTS LIST

UNIT LIST

KR-694

DESTINATION		TUNER UNIT	MAIN AMP UNIT	AUDIO UNIT	DISPLAY UNIT
Singapore made	K	X05-4460-11	X07-2770-11	X09-3940-11	X14-3880-11
	P	X05-4460-11	X07-2771-02	X09-3940-11	X14-3880-11
	M	X05-4460-21	X07-2780-22	X09-3940-11	X14-3880-22
Malaysia made	K	X05-4460-11	X07-2770-11	X09-3940-11	X14-3880-11
	P	X05-4460-11	X07-2771-02	X09-3940-11	X14-3880-11

KR-V5560

DESTINATION		TUNER UNIT	MAIN AMP UNIT	AUDIO UNIT	DISPLAY UNIT
Singapore made	K	X05-4460-11	X07-2770-11	X09-3940-11	X14-3880-11
	P	X05-4460-11	X07-2771-02	X09-3940-11	X14-3880-11
	Y	X05-4460-21	X07-2782-92	X09-3940-11	X14-3880-22
	M	X05-4460-21	X07-2780-22	X09-3940-11	X14-3880-22
	X	X05-4460-71	X07-2780-11	X09-3940-11	X14-3880-71
Malaysia made	R	X05-4460-11	X07-2770-11	X09-3940-11	X14-3880-11
	K	X05-4460-11	X07-2770-11	X09-3940-11	X14-3880-11
	P	X05-4460-11	X07-2771-02	X09-3940-11	X14-3880-11

KR-V6060

DESTINATION		TUNER UNIT	MAIN AMP UNIT	AUDIO UNIT	DISPLAY UNIT
Singapore made	K	X05-4460-11	X07-2770-10	X09-3940-10	X14-3880-10
	P	X05-4460-11	X07-2771-01	X09-3940-10	X14-3880-10
	R	X05-4460-11	X07-2770-10	X09-3940-10	X14-3880-10
	Y	X05-4460-21	X07-2782-91	X09-3940-10	X14-3880-21
	M	X05-4460-21	X07-2780-21	X09-3940-10	X14-3880-21
	T	X05-4472-72	X07-2780-51	X09-3942-71	X14-3882-71
	E	X05-4472-72	X07-2782-70	X09-3942-71	X14-3882-71
Malaysia made	K	X05-4460-11	X07-2770-10	X09-3940-10	X14-3880-10
	P	X05-4460-11	X07-2771-01	X09-3940-10	X14-3880-10
	R	X05-4460-11	X07-2770-10	X09-3940-10	X14-3880-10

* New Parts
 Parts without Parts No. are not supplied.
 Les articles non mentionnés dans le Parts No. ne sont pas fournis.
 Teile ohne Parts No. werden nicht geliefert.

Ref. No. 参照番号	Address 位置	New Parts 新部品	Parts No. 部品番号	Description 部品名 / 規格	Desti- nation 仕向	Re- marks 備考
KR-694						
601	1A	*	A01-3098-11	METALLIC CABINET		
602	3A	*	A60-0527-11	PANEL		
603	1B	*	A70-0964-05	REMOTE CONTROLLER ASSY (-R0502)		
604	1B	*	A09-0170-08	BATTERY COVER		
615	3A	*	B03-2887-13	DRESSING PLATE	K	
-	-	*	B46-0092-33	WARRANTY CARD	P	
-	-	*	B46-0121-33	WARRANTY CARD	M	
-	-	*	B46-0197-00	QUESTIONNAIRE CARD	K	
-	-	*	B58-0964-03	CAUTION CARD (UL)	K	
-	-	*	B58-0965-03	CAUTION CARD (P.T.X. TYPE)	P	
-	-	*	B58-0966-03	CAUTION CARD (ELM TYPE)	M	
-	-	*	B60-1453-00	INSTRUCTION MANUAL (ENGLISH)	P	
-	-	*	B60-1454-00	INSTRUCTION MANUAL (FRENCH)	M	
-	-	*	B60-1455-00	INSTRUCTION MANUAL (CHINESE)	P	
-	-	*	B60-1456-00	INSTRUCTION MANUAL (SPANISH)	M	
620	1B	*	E03-0115-05	AC PLUG ADAPTER	M	
621	1D	*	E30-2592-15	AC POWER CORD	M	
621	1D	*	E30-2650-05	AC POWER CORD	M	
621	1D	*	E30-2650-05	AC POWER CORD	KPR	
631	2B	*	F20-1297-05	INSULATING SHEET (FRONT)	P	
632	2B, 2C	*	F20-1297-05	INSULATING SHEET (CENTER, REAR)	M	
633	2B	*	F20-1392-04	INSULATING BOARD		
634	2D	*	F20-1393-04	INSULATING SHEET		
-	-	*	H10-5676-02	POLYSTYRENE FOAMED FIXTURE (L)	KPM	
-	-	*	H10-5677-02	POLYSTYRENE FOAMED FIXTURE (R)	KPM	
-	-	*	H10-5680-02	POLYSTYRENE FOAMED FIXTURE (L)	KP	
-	-	*	H10-5681-02	POLYSTYRENE FOAMED FIXTURE (R)	KP	
-	-	*	H11-0061-04	POLYSTYRENE FOAMED BOARD	KP	
-	-	*	H13-0147-14	CARTON BOARD		
-	-	*	H25-0232-04	PROTECTION BAG (235X350X0.03)		
-	-	*	H25-1514-04	PROTECTION BAG		
-	-	*	H25-1514-04	ITEM CARTON CASE	KP	
-	-	*	H50-0931-04	ITEM CARTON CASE	H	
-	-	*	H50-0932-04	ITEM CARTON CASE		
-	-	*	H50-0987-04	ITEM CARTON CASE	KP	
638	3D	*	J02-0366-15	FOOT		
640	2D	*	J19-3208-05	UNIT HOLDER		
641	2C	*	J19-3326-15	UNIT HOLDER		
642	2C, 2D	*	J19-3657-04	UNIT HOLDER USABLE J19-3609-04		
643	1B	*	J19-3645-04	AM LOOP ANT. STAND		
648	1D	*	J42-0083-05	POWER CORD BUSHING		
-	-	*	J61-0307-05	WIRE BAND		
652	3B	*	K29-5843-02	KNOB (SURROUND)		
653	3A	*	K29-5834-13	KNOB (TONE)		
654	2A, 3A	*	K29-5837-02	KNOB (POWER, TUNING)		
655	3A	*	K29-5836-04	KNOB (BASS, TREBLE)		
656	3A	*	K29-5839-14	KNOB (BRANGE)		
657	3A	*	K29-5860-04	KNOB ASSY (VOLUME)		
658	3A	*	K29-5866-04	KNOB (INPUT SELECTOR)		
660	2C	*	L07-0848-05	POWER TRANSFORMER	P	
660	2C	*	L07-0851-05	POWER TRANSFORMER	M	

L:Scandinavia
 Y:FX(Far East, Hawaii)
 Y:AAFE(Europe)

K:USA
 T:England
 X:Australia

P:Canada
 E:Europe
 M:Other Areas

R:Mexico
 G:Germany

S:Singapore made
 W:Malaysia made

4:KR-694
 5:KR-V5560
 6:KR-V6060

△ indicates safety critical components

KR-694/V5560/V6060

PARTS LIST

* New Parts
Parts without Parts No. are not supplied.
Les articles non mentionnés dans le Parts No. ne sont pas fournis.
Telle ohne Parts No. werden nicht geliefert.

No.3

Ref. No. 参照番号	Address 位置	New Part 新	Parts No. 部品番号	Description 部品名 / 規格	Desti- nation 仕	Re- mark 備考
-	-	*	H50-0925-04	ITEM CARTON CASE	M	S
-	-	*	H50-0926-04	ITEM CARTON CASE	KPR	W
638	3D		J02-0366-15	FOOT		
640	2D		J19-3208-05	UNIT HOLDER		
641	2C		J19-3326-15	UNIT HOLDER		
642	2C,2D	*	J19-3657-04	UNIT HOLDER(USABLE J19-3609-04)		
643	1B	*	J19-3645-05	AM LOOP ANT. STAND		
648	1D		J42-0083-05	POWER CORD BUSHING		
-	-		J61-0307-05	WIRE BAND		
652	3B	*	K29-5843-02	KNOB (SURROUND)		
653	3A		K29-5834-13	KNOB (10KEY)		
654	2A,3A		K29-5837-02	KNOB (POWER, TUNING)		
655	3A		K29-5838-04	KNOB (BASS, TREBLE)		
656	3A		K29-5839-14	KNOB (BALANCE)		
657	3A	*	K29-5860-04	KNOB ASSY (VOLUME)		
658	3A	*	K29-5866-04	KNOB (INPUT SELECTOR)		
660	2C	*	L07-0848-05	POWER TRANSFORMER	P	
660	2C	*	L07-0850-05	POWER TRANSFORMER	X	
660	2C	*	L07-0851-05	POWER TRANSFORMER	YM	
660	2C	*	L07-0852-05	POWER TRANSFORMER	KR	
A			N08-0128-35	BINDING POST (EARTH)	YMX	
A			N09-2909-05	TAPPING SCREW (3X12)	KPR	
B			N09-0333-05	SEMS (TAPITTE SCREW)(3X14)		
C			N09-2907-05	BINDIG HEAD TAPITTE SCREW		
D			N82-2608-46	BINDING HEAD TAPITTE SCREW		
E			N89-3008-45	BINDING HEAD TAPITTE SCREW		
F			N89-3008-46	BINDING HEAD TAPITTE SCREW		
G			N89-3018-46	BINDING HEAD TAPITTE SCREW		
H			N89-3018-46	BINDING HEAD TAPITTE SCREW		
-	-		N29-0265-15	PUSH RIVET		
665	1B		T90-0175-05	T TYPE ANTENNA		
666	1B		T90-0195-05	L00P ANTENNA		
KR-V6060						
601	1A	*	A01-3098-11	METALLIC CABINET		
602	3A	*	A60-0525-21	PANEL	KPYMR	
603	1B	*	A70-0962-15	REMOTE CONTROLLER ASSY(-R0702)	TE	
603	1B	*	A70-0663-05	REMOTE CONTROLLER ASSY(-R0703)		
604	1B	*	A09-0146-08	BATTERY COVER		
615	3A	*	B03-2871-13	DRESSING PLATE	KPYMR	
615	3A	*	B03-2886-13	DRESSING PLATE	TE	
-	-		B46-0092-33	WARRANTY CARD	K	
-	-		B46-0094-03	WARRANTY CARD	Y	
-	-		B46-0095-03	WARRANTY CARD	Y	
-	-		B46-0121-33	WARRANTY CARD	P	
-	-		B46-0197-00	QUESTIONAIRE CARD	TE	
-	-		B46-0310-03	WARRANTY CARD	TE	
-	-		B58-0513-04	CAUTION CARD (PRESET220-240)	Y	
-	-		B58-0964-03	CAUTION CARD (UL)	KYR	
-	-		B58-0965-03	CAUTION CARD (P, T, X)	P	
-	-		B58-0966-03	CAUTION CARD (E, I, M)	MTE	
-	-		B58-0970-03	CAUTION CARD (R, TYPE)	R	
-	-		B60-1441-00	INSTRUCTION MANUAL (ENGLISH)	KPYMR	
-	-		B60-1442-00	INSTRUCTION MANUAL (ENGLISH)	TE	

* New Parts
Parts without Parts No. are not supplied.
Les articles non mentionnés dans le Parts No. ne sont pas fournis.
Telle ohne Parts No. werden nicht geliefert.

No.2

Ref. No. 参照番号	Address 位置	New Part 新	Parts No. 部品番号	Description 部品名 / 規格	Desti- nation 仕	Re- mark 備考
660	2C	*	L07-0852-05	POWER TRANSFORMER	K	
A			N08-0128-35	BINDING POST (EARTH)	M	
A			N09-2909-05	TAPITTE SCREW (3X12)	KP	
B			N09-0333-05	SEMS (TAPITTE SCREW)(3X14)		
C			N09-2907-05	BINDING HEAD TAPITTE SCREW		
D			N82-2608-46	BINDING HEAD TAPITTE SCREW		
E			N89-3008-45	BINDING HEAD TAPITTE SCREW		
F			N89-3008-46	BINDING HEAD TAPITTE SCREW		
G			N89-3018-46	BINDING HEAD TAPITTE SCREW		
H			N29-0265-15	PUSH RIVET		
665	1B		T90-0175-05	T TYPE ANTENNA		
666	1B		T90-0195-05	L00P ANTENNA		
KR-V5560						
601	1A	*	A01-3098-11	METALLIC CABINET		
602	3A	*	A60-0526-21	PANEL		
603	1B	*	A70-0964-05	REMOTE CONTROLLER ASSY(-R0502)		
604	1B	*	A09-0170-08	BATTERY COVER		
615	3A	*	B03-2887-13	DRESSING PLATE	K	
-	-		B46-0092-33	WARRANTY CARD	Y	
-	-		B46-0094-03	WARRANTY CARD	Y	
-	-		B46-0095-03	WARRANTY CARD	Y	
-	-		B46-0096-43	WARRANTY CARD	X	
-	-		B46-0121-33	WARRANTY CARD	P	
-	-		B46-0197-00	QUESTIONAIRE CARD	KR	
-	-		B58-0513-04	CAUTION CARD (PRESET220-240)	Y	
-	-		B58-0964-03	CAUTION CARD	KYR	
-	-		B58-0965-03	CAUTION CARD	P	
-	-		B58-0966-03	CAUTION CARD	MX	
-	-		B58-0970-03	CAUTION CARD	RR	
-	-		B60-1453-00	INSTRUCTION MANUAL (ENGLISH)		
-	-		B60-1454-00	INSTRUCTION MANUAL (FRENCH)		
-	-		B60-1455-00	INSTRUCTION MANUAL (CHINESE)	P	
-	-		B60-1456-00	INSTRUCTION MANUAL (SPANISH)	MR	
620	1B		B03-0115-05	AC PLUG ADAPTER	M	
621	1D		E30-2592-15	AC POWER CORD	M	
621	1D		E30-2605-05	AC POWER CORD	Y	
621	1D		E30-2650-05	AC POWER CORD	KPR	
621	1D		E30-2650-05	AC POWER CORD		
621	1D		E30-2717-05	AC POWER CORD	X	
631	2B		F20-1297-05	INSULATING SHEET (FRONT)	YMX	
632	2B,2C		F20-1297-05	INSULATING SHEET (CENTER, REAR)		
633	2B	*	F20-1392-04	INSULATING BOARD		
634	2D		F20-1393-04	INSULATING SHEET		
-	-		H10-5676-02	POLYSTYRENE FOAMED FIXTURE (L)	KPYMR	
-	-		H10-5677-02	POLYSTYRENE FOAMED FIXTURE (R)	KPYMR	
-	-		H10-5680-02	POLYSTYRENE FOAMED FIXTURE (L)	KPR	
-	-		H10-5681-02	POLYSTYRENE FOAMED FIXTURE (R)	KPR	
-	-		H11-0061-04	POLYSTYRENE FOAMED BOARD		
-	-		H13-0147-14	CARTON BOARD		
-	-		H25-0232-04	PROTECTION BAG (235X350X0.03)		
-	-		H25-0361-04	PROTECTION BAG		
-	-		H50-0924-04	ITEM CARTON CASE	KPYXR	S

L:Scandinavia
Y:PY(Far East, Hawaii)
Y:AAFES(Europe)

K:USA
T:England
X:Australia

P:Canada
E:Europe
M:Other Areas

R:Mexico
G:Germany

S:Singapore made
W:Malaysia made

4:KR-694
5:KR-V5560
6:KR-V6060

△ indicates safety critical components.

KR-694/V5560/V6060

PARTS LIST

No.5

* New Parts
Parts without Parts No. are not supplied.
Les articles non mentionnés dans le Parts No. ne sont pas fournis.
Teile ohne Parts No. werden nicht geliefert.

Ref. No. 参照番号	Address 位置	New Parts 新部品	Parts No. 部品番号	Description 部品名/規格	Desti- nation 仕向備考
660	2C	*	L07-0847-05	POWER TRANSFORMER	KR
A			N06-0128-35	BINDING POST (EARTH)	YMTE
B			N09-2909-05	TAPPIE SCREW	KPR
C			N09-0333-05	TAPPING SCREW (3X12)	
D			N04-2907-05	SEMS (TAPPIE SCREW)(3X14)	
E			N82-2608-46	BINDIG HEAD TAPPIE SCREW	
F			N89-3008-45	BINDING HEAD TAPPIE SCREW	
G			N89-3018-46	BINDING HEAD TAPPIE SCREW	
H			N29-0265-15	PUSH RIVET	
665	1B		T90-0175-05	T TYPE ANTENNA	
666	1B		T90-0195-05	LOOP ANTENNA	
667	1B		T90-0195-05	ANTENNA ADAPTOR	TE
TUNER UNIT(X05-446X-XX) : Except E,T					
C1			CK73FB1H103K	CHIP C	
C4			CE04LW1A470M	ELECTRO	10WV
C5			CK73ES1H103K	CHIP C	0.010UF K
C8			CK73FB1H103K	CHIP C	0.010UF K
C10			CK73FB1H122K	CHIP C	1200PF K
C11			CE04LW1H4R7M	ELECTRO	4.7UF 50WV
C13			CE04LW1H010M	ELECTRO	1.0UF 50WV
C14			CE04LW1H262M	ELECTRO	2.2UF 50WV
C21	,22		C092FM1H163J	MYLAR	0.016UF J
C21	,22		C092FM1H243J	MYLAR	0.024UF J
C23			CE04LW1H010M	ELECTRO	1.0UF 50WV
C24			CE04LW1H3R3M	ELECTRO	3.3UF 50WV
C25			CE04LW1V100M	ELECTRO	10UF 35WV
C27			CK73FB1E473K	CHIP C	0.047UF K
C28			CE04LW1V100M	ELECTRO	10UF 35WV
C31			CE04LW1A470M	ELECTRO	47UF 10WV
C32			CK73FB1H103K	CHIP C	0.010UF K
C33			CK73FB1H220J	CHIP C	22PF J
C34			CK73FB1H220J	CHIP C	22PF J
C35	-38		CK73FB1H471K	CHIP C	470PF K
C39			CE04LW1C470M	ELECTRO	47UF 16WV
C40			CK73FB1H223K	CHIP C	0.022UF K
C41			CE04LW1H010M	ELECTRO	1.0UF 50WV
C42	,43		CK73FB1H103K	CHIP C	0.010UF K
C50			C91-0769-05	CERAMIC	0.01UF K
C51			CE04LW1H010M	ELECTRO	1.0UF 50WV
C52			CE04LW1C470M	ELECTRO	47UF 16WV
C57			CK73ES1H220J	CHIP C	22PF J
C65			CE04LW1H010M	ELECTRO	1.0UF 50WV
C66			CK73FB1H102K	CHIP C	1000PF K
C71			CE04LW1V100M	ELECTRO	10UF 35WV
C72			CE04LW1C470M	ELECTRO	47UF 16WV
C103	-106		CE04LW1H473M	ELECTRO	0.47UF 50WV
C107			CK73FB1E473K	CHIP C	0.047UF K
C112			CC43FSLH101J	CHIP C	100PF J
C114			CK73FB1H681K	CHIP C	680PF K
C115	116		CC73FSLH101J	CHIP C	100PF J
C121	122		CE04LW1C470M	ELECTRO	47UF 16WV
C135	136		C092FM1H482J	MYLAR	4800PF J
C182			CC73FSLH150J	CHIP C	150PF J

No.4

* New Parts
Parts without Parts No. are not supplied.
Les articles non mentionnés dans le Parts No. ne sont pas fournis.
Teile ohne Parts No. werden nicht geliefert.

Ref. No. 参照番号	Address 位置	New Parts 新部品	Parts No. 部品番号	Description 部品名/規格	Desti- nation 仕向備考
-			860-1443-00	INSTRUCTION MANUAL (FRENCH)	P
-			860-1444-00	INSTRUCTION MANUAL (CHINESE)	M
-			860-1445-00	INSTRUCTION MANUAL (GE,DU)	E
-			860-1446-00	INSTRUCTION MANUAL (SPANISH)	MR
-			860-1593-00	INSTRUCTION MANUAL (SPANISH)	E
-			360-1594-00	INSTRUCTION MANUAL (FR, IT)	E
620	1B		E03-0115-05	AC PLUG ADAPTER	M
621	1D		E30-2592-15	AC POWER CORD	ME
621	1D		E30-2605-05	AC POWER CORD	Y
621	1D		E30-2650-05	AC POWER CORD	KPR
621	1D		E30-2721-05	AC POWER CORD	T
630	1C	*	F20-1258-04	INSULATING BOARD (FRONT)	T
631	2B		F20-1284-05	INSULATING SHEET (CENTER, REAR)	
632	2B		F20-1297-05	INSULATING BOARD	
633	2B	*	F20-1392-04	INSULATING BOARD	
634	2D		F20-1393-04	INSULATING SHEET	YMTE
-			H10-5676-02	POLYSTYRENE FOAMED FIXTURE (L)	KPYMER
-			H10-5677-02	POLYSTYRENE FOAMED FIXTURE (R)	S
-			H10-5678-02	POLYSTYRENE FOAMED FIXTURE (L)	KPYMER
-			H10-5679-02	POLYSTYRENE FOAMED FIXTURE (R)	S
-			H10-5680-02	POLYSTYRENE FOAMED FIXTURE (L)	S
-			H10-5681-02	POLYSTYRENE FOAMED FIXTURE (R)	W
-			H11-0061-04	CARTON BOARD	KPR
-			H13-0147-14	CARTON BOARD	KPYMER
-			H13-0160-04	CARTON BOARD	T
-			H25-0232-04	PROTECTION BAG (235X350X0.03)	KPYMER
-			H25-0361-04	PROTECTION BAG	KPYMER
-			H25-0651-04	PROTECTION BAG (0232 PRINTED)	T
-			H25-0666-04	PROTECTION BAG (0361 PRINTED)	T
-			H50-0921-04	ITEM CARTON CASE	KPYER
-			H50-0922-04	ITEM CARTON CASE	M
-			H50-0923-04	ITEM CARTON CASE	S
-			H50-0985-04	ITEM CARTON CASE	T
638	3D		J02-0366-15	FOOT	KPR
639	3D		J02-1040-05	FOOT	W
640	2D		J19-3208-05	UNIT HOLDER	KPYMR
641	2C		J19-3326-15	UNIT HOLDER	TE
642	2C,2D	*	J19-3657-04	UNIT HOLDER(USABLE J19-3609-04)	
643	1B	*	J19-3645-05	AM LOOP ANT. STAND	
648	1D		J42-0083-05	POWER CORD BUSHING	
-			J61-0307-05	WIRE BAND	
652	3B		K29-5833-02	KNOB (SURROUND)	TE
653	2A, 3A		K29-5834-13	KNOB (TUNEY)	KPYMR
654	2A, 3A		K29-5836-02	KNOB (POWER, TUNING)	
655	2A, 3A		K29-5837-02	KNOB (POWER, TUNING)	
655	3A		K29-5836-04	KNOB (BASS, TREBLE)	
656	3A		K29-5839-14	KNOB (BARANCE)	
657	3A		K29-5859-04	KNOB ASSY (VOLUME)	
658	3A		K29-5866-04	KNOB (INPUT SELECTOR)	
660	2C	*	L07-0843-05	POWER TRANSFORMER	P
660	2C	*	L07-0844-05	POWER TRANSFORMER	E
660	2C	*	L07-0845-05	POWER TRANSFORMER	T
660	2C	*	L07-0846-05	POWER TRANSFORMER	YM

L:Scandinavia
Y:FP(Far East, Hawaii)
Y:AFES(Europe)

K:USA
T:England
X:Australia

P:Canada
E:Europe
M:Other Areas

R:Mexico
G:Germany

S:Singapore made
W:Malaysia made

4:KR-694
5:KR-V5560
6:KR-V6060

△ indicates safety critical components

KR-694/V5560/V6060

PARTS LIST

* New Parts
Parts without Parts No. are not supplied.
Les articles non mentionnés dans le Parts No. ne sont pas fournis.
Teil ohne Parts No. werden nicht geliefert.

No.7

Ref. No. 参照番号	Address 位置	New Parts 新部品	Parts No. 部品番号	Description 部品名 / 規格	Re- marks 備考	Desti- nation 向
C8			CK73FB1H682K	CHIP C		
C9			CK73FB1H103K	CHIP C		
C10			CC73FSL1H330J	CHIP C		
C11			CE04LW1V100M	ELECTRØ	35WV	
C12			CE04LW1H010M	ELECTRØ	50WV	
C13			CE04LW1HR33M	ELECTRØ	50WV	
C14			CE04LW1H010M	ELECTRØ	50WV	
C15			CK73FB1H103K	CHIP C	0.010UF	
C16			C91-0769-05	CERAMIC	0.01UF	
C17			CK73FB1H223K	CHIP C	0.022UF	
C21, 22			CK73FB1H682K	CHIP C	6800PF	
C23			CE04LW1V100M	ELECTRØ	100UF	
C25			CE04LW1V100M	ELECTRØ	10UF	35WV
C27			CE04LW1V100M	ELECTRØ	10UF	35WV
C28			CK73FB1E473K	CHIP C	0.047UF	
C31			CE04LW1A470M	ELECTRØ	47UF	104V
C32			CK73FB1H103K	CHIP C	0.010UF	
C33			CK73FB1H220J	CHIP C	22PF	
C34			CC73FCH1H220J	CHIP C	22PF	
C35 - 38			CK73FB1H471K	CHIP C	470PF	
C39			CE04LW1C470M	ELECTRØ	47UF	16WV
C40			C692FM1H223J	MYLAR	0.022UF	
C41			CE04HW1H2R2M	NP-ELEC	2.20UF	50WV
C42, 43			CK73FB1H103K	CHIP C	0.010UF	
C45, 46			CE04LW1V100M	ELECTRØ	10UF	35WV
C47, 48			CE04LW1H0R1M	ELECTRØ	0.1UF	50WV
C50			C91-0769-05	CERAMIC	0.01UF	50WV
C51			CE04LW1H010M	ELECTRØ	1.0UF	50WV
C52			CE04LW1C470M	ELECTRØ	47UF	16WV
C56			CC73FCH1H220J	CHIP C	22PF	
C58, 59			CK73FB1H472K	CHIP C	4700PF	
C65			CE04LW1H010M	ELECTRØ	1.0UF	50WV
C66			C91-0769-05	CERAMIC	0.01UF	50WV
C72			CE04LW1C470M	ELECTRØ	47UF	16WV
C107			CK73FB1E473K	CHIP C	0.047UF	
C121, 122			CE04LW1C470M	ELECTRØ	47UF	16WV
C123			CE04LW1H0R1M	ELECTRØ	0.1UF	50WV
C172			CC73FSL1H330J	CHIP C	33PF	
C173-175			CK73FB1H102K	CHIP C	1000PF	
C182			CC73FSL1H150J	CHIP C	15PF	
J1			E20-0321-05	LOCK TERMINAL BOARD		
J2			F10-0921-14	SHIELDING PLATE		
CF1, 2			L72-0536-05	CERAMIC FILTER		
L1, 2			L40-1091-17	SMALL FIXED INDUCTOR(1UH)		
L3			L30-0496-05	PM IFT		
L4			L30-0497-05	PM IFT		
L5			L79-0125-05	LC FILTER		
L7			L30-0467-05	AM IFT		
L8, 9			L79-0790-05	LC FILTER		
L10			L40-1091-17	SMALL FIXED INDUCTOR(1UH)		
L103			L39-1309-05	COMBINATION COIL		
L106			L40-1091-17	SMALL FIXED INDUCTOR(1UH)		
X1			L77-1122-05	CRYSTAL RESONATOR(7.2MHZ)		
X1			L77-1122-05	CRYSTAL RESONATOR(7.2MHZ)		

S:Singapore made
W:Malaysia made
4:KR-694
5:KR-V5560
6:KR-V6060
R:Mexico
G:Germany
P:Canada
E:Europe
M:Other Areas
K:USA
T:England
X:Australia
L:Scandinavia
Y:FX(Far East, Hawaii)
Y:AAFES(Europe)

* New Parts
Parts without Parts No. are not supplied.
Les articles non mentionnés dans le Parts No. ne sont pas fournis.
Teil ohne Parts No. werden nicht geliefert.

No.6

Ref. No. 参照番号	Address 位置	New Parts 新部品	Parts No. 部品番号	Description 部品名 / 規格	Re- marks 備考	Desti- nation 向
J1			E20-0476-05	LOCK TERMINAL BOARD(4P)		
J2			F10-0920-14	SHIELDING PLATE		
CF1, 2			L72-0531-05	CERAMIC FILTER		
CF3			L72-0574-05	CERAMIC FILTER		
L7			L30-0467-05	AM IFT		
L10			L40-1091-17	SMALL FIXED INDUCTOR(1UH)		
L11			L40-1021-14	SMALL FIXED INDUCTOR(1.0MH, K)		
L12			L40-1091-17	SMALL FIXED INDUCTOR(1UH)		
L103			L39-1309-05	COMBINATION COIL		
L106			L40-1091-17	SMALL FIXED INDUCTOR(1UH)		
X1			L77-1122-05	CRYSTAL RESONATOR(7.2MHZ)		
X2			L78-0295-05	RESONATOR (19KHZ)		
R11			RS14KB3A820J	FL-PROOF RS 82	J 1W	
R31			RS14KB3D21J	FL-PROOF RS 220	J 2W	
R42			RD14NS2E101J	RD 100	J J 1/4W	
R111			RD14NB2E470J	RD 47	J J 1/4W	
R127, 128			RD14NB2E101J	RD 100	J J 1/4W	
W46			R92-0670-05	CHIP R 0 0HM		
W48			R92-0670-05	CHIP R 0 0HM		
S101			S62-0034-05	SLIDE SWITCH(CH,SPACE,EMPASIS)	YM	
D3			HZ56-1N(82)	ZENER DIODE		
D3			R05-1ES(82)	ZENER DIODE		
D4			HZ56-3N(82)	ZENER DIODE		
D4			R03-3ES(82)	ZENER DIODE		
D7			MA110	DIODE		
D8			HSS104	DIODE		
D8			LS133	DIODE		
D11			HZ56-2N(82)	ZENER DIODE		
D11			RD8-2ES(82)	ZENER DIODE		
D111, 112			MA110	DIODE		
IC1			LA1831-KEN	ANALOG IC		
IC2			LC7218	IC(PLL SYNTHESIZER)		
IC12			NJM4560	IC(OP AMP X2)		
Q1			2SC2714(F,Ø)	TRANSISTOR		
Q2			2SC1845(F,E)	TRANSISTOR		
Q3			2SC1740S(Ø,R)	TRANSISTOR		
Q3			2SC2785(F,E)	TRANSISTOR		
Q7			2SC9412K	TRANSISTOR		
Q11			2SD637E,F	TRANSISTOR		
Q102			2SA1037K	TRANSISTOR		
Q104			2SA1037K	TRANSISTOR		
Q107, 108			2SC2412K	TRANSISTOR		
Q109, 110			2SC2412K	TRANSISTOR		
Q111			2SA1037K	TRANSISTOR		
DT1			W02-1167-05	FM FRONT-END ASSY		
TUNER UNIT(X05-447X-XX) : E.T type						
C1, 2			CK73FB1H103K	CHIP C	0.010UF	K 16WV
C4			CE04LW1C470M	ELECTRØ	47UF	
C5			CK73FB1H223K	CHIP C	0.022UF	K
C6			CK73FB1E473K	CHIP C	0.047UF	K
C7			CE04LW1H3R3M	ELECTRØ	3.3UF	50WV

S:Singapore made
W:Malaysia made
4:KR-694
5:KR-V5560
6:KR-V6060
R:Mexico
G:Germany
P:Canada
E:Europe
M:Other Areas
K:USA
T:England
X:Australia
L:Scandinavia
Y:FX(Far East, Hawaii)
Y:AAFES(Europe)

KR-694/V5560/V6060

PARTS LIST

* New Parts
Parts without Parts No. are not supplied.
Les articles non mentionnés dans le Parts No. ne sont pas fournis.
Teile ohne Parts No. werden nicht geliefert.

No.9

Ref. No. 参照番号	Address 位置	New Parts 新部品	Parts No. 部品番号	Description 部品名 / 規格	Desti- nation 向	Re- marks 備考
C35			CE04LW1J100M	ELECTRØ		5
C36			CE04LW2A100M	ELECTRØ		6
C36		*	CE04LW1J331M	ELECTRØ		4
C36		*	CE04LW1J331M	ELECTRØ		5
C36			CE04LW2A331M	ELECTRØ		6
C37			CE04LW1V102M	ELECTRØ		
C39	40		CK45FB1H102K	CERAMIC		
C41	45		CE04LW1C470M	ELECTRØ		
C46			CK45FF1H103Z	CERAMIC		
C47	48		CK45FE2H103P	CERAMIC		
C50			CE04LW1J221M	ELECTRØ		
C51			CE04LW1V100M	ELECTRØ		
C59			C91-1488-05	MF		
C60			CK45FF1H103Z	CERAMIC		
C61			CE04LW1E331M	ELECTRØ		
C62	63		CE04LW1A470M	ELECTRØ		
C65			CE04LW1V4R7M	ELECTRØ		
C70			CK45FF1H103Z	CERAMIC		
C71	74		CK45FB1H102K	CERAMIC		
C83			CK45FF1H103Z	CERAMIC		
C84			CK45FB1H471K	CERAMIC		
C85			CK45FB1H471K	CERAMIC		
C90			CE04LW1A470M	ELECTRØ		
C91			CE04LW0473M	ELECTRØ		
C92	93		CK45FF1H103Z	CERAMIC		
C95	96		CE04LW1V100M	ELECTRØ		
C98	100		CK45FSL1H100J	CERAMIC		
C101	103		CK45FE1H103Z	CERAMIC		
C104	105		CC45FSL1H221J	CERAMIC		
C106			CK45FF1H475Z	CERAMIC		
J3			E03-0117-05	AC ØUTLET		
J4			E70-0047-05	LOCK TERMINAL BOARD		
J5			E70-0046-05	LOCK TERMINAL BOARD		
J6			E11-0127-05	PHONE JACK (3P)		
J7			E63-0069-15	PHONE JACK		
J8			E11-0188-05	MINIATURE PHONE JACK (2P 7?)		
F1			F05-6029-05	FUSE (UL)		
F6			F04-1026-05	FUSE (UL)		
CN5	6		J13-0075-05	FUSE CLIP		
CN11	12		J13-0075-05	FUSE CLIP		
J2			J11-0098-05	WIRE CLAMPER		
L1	4		L39-0065-05	PHASE COMPENSATION COIL		
L1			L07-0884-05	POWER TRANSFORMER		
J			N35-3008-46	BINDING HEAD MACHINE SCREW		
CP1	2		R90-0840-05	RD		4
CP3	4		R90-0840-05	RD		5
CP3	4		R90-0840-05	RD		5
CP3	4		R90-0886-05	MULTIPLE RESISTOR		6
RS	8		RD14NB2E220J	RD		
R9	10		RS14KB304R7J	FL-PRØOF RS		
R11	12		RD14NB2E100J	RD		
R13	14		RD14NB2E332J	RD		

* New Parts
Parts without Parts No. are not supplied.
Les articles non mentionnés dans le Parts No. ne sont pas fournis.
Teile ohne Parts No. werden nicht geliefert.

No.8

Ref. No. 参照番号	Address 位置	New Parts 新部品	Parts No. 部品番号	Description 部品名 / 規格	Desti- nation 向	Re- marks 備考
X2			L78-0295-05	RESONATOR (19KHZ)		
R31			RS14KB30221J	FL-PRØOF RS		
R42			RD14NB2E101J	RD		
R111			RD14NB2E470J	RD		
R127, 128			RD14NB2E101J	RD		
VR1			R12-3686-05	TRIMMING PØT. (22K)		
VR2			R12-3685-05	TRIMMING PØT. (10K)		
VR3			R12-1619-05	TRIMMING PØT. (4.7K)		
W100-103			R92-0670-05	CHIP R		
W200-211			R92-0679-05	CHIP R		
D3			HZ55-1N(B2)	ZENER DIØDE		
D3			KB5-15S(R2)	ZENER DIØDE		
D4			HZ55-3N(B2)	ZENER DIØDE		
D4			RD2-15S(B2)	ZENER DIØDE		
D5			HSS104	DIØDE		
D5			SS133	DIØDE		
D11			HZ10N(B)	ZENER DIØDE		
D11			RD10ES(R)	ZENER DIØDE		
D111, 112			HSS104	DIØDE		
D111, 112			SS133	DIØDE		
D117, 118			1SS268	DIØDE		
D121			MA110	DIØDE		
D125			MA110	DIØDE		
IC1			LA1851N	IC (AM, FM TUNER)		
IC2			LC7218	IC (PLL SYNTHESIZER)		
IC3			NJ45650	IC (ØP AMP X2)		
IC4			M5223P	IC (ØP AMP X2)		
Q1			2SC2714(R, Ø)	TRANSISTØR		
Q2			2SC1845(F, E)	TRANSISTØR		
Q3	4		2SC2412K	TRANSISTØR		
Q5			2SA1037K	TRANSISTØR		
Q7	8		2SC2412K	TRANSISTØR		
Q9			2SA1037K	TRANSISTØR		
Q10			2SC2412K	TRANSISTØR		
Q11			2SD863(E, F)	TRANSISTØR		
Q102			2SA1037K	TRANSISTØR		
Q109, 110			2SC2412K	TRANSISTØR		
Q111			2SA1037K	TRANSISTØR		
DT1			W02-1166-15	FM FRØNT-END ASSY		
MAIN AMP UNIT (X07-277X-XX) : K,P,R type						
C1	2		CC45FSL1H101J	CERAMIC		
C3	4		CK45FF1H103Z	CERAMIC		
C7	8		CQ92FM1H104J	MYLAR		
C9	12		CK45FF1H103Z	CERAMIC		
C13	14		CQ92FM1H104J	MYLAR		
C17	18		CK45FF1H103Z	CERAMIC		
C21			CE04LW0J221M	ELECTRØ		
C22			CE04LW1V4R7M	ELECTRØ		
C31	32		CK45FF1H103Z	CERAMIC		
C33	34		C90-3536-05	ELECTRØ		
C33	34		C90-3538-05	ELECTRØ		
C33	34		C90-3539-05	ELECTRØ		
C35			CE04LW1J100M	ELECTRØ		

L:Scandinavia
Y:PX(Far East, Hawaii)
Y:AFES(Europe)

K:USA
T:England
X:Australia

P:Canada
E:Europe
M:Other Areas

R:Mexico
G:Germany

S:Singapore made
W:Malaysia made

4:KR-694
5:KR-V5560
6:KR-V6060

△ indicates safety critical components

KR-694/V5560/V6060

PARTS LIST

* New Parts
Parts without Parts No. are not supplied.
Les articles non mentionnés dans le Parts No. ne sont pas fournis
Teile ohne Parts No. werden nicht geliefert.

Ref. No. 参照番号	Address 位置	New Parts 新	Parts No. 部品番号	Description 部品名 / 規格	Desti- nation 向	Re- marks 備考
D28 ,29			ISS131	DIODE		
D30 ,33			S5688B	DIODE		
D30 ,33			1SR139-100	DIODE		
D34			HZ56.2N(B2)	ZENER DIODE		
			RD6.2ES(B2)	ZENER DIODE		
D35			HSS104	DIODE		
D35			ISS133	DIODE		
D37 -40			HSS104	DIODE		
D37 -40			ISS133	DIODE		
D41 -44			HSS104A	DIODE		
D41 -44			ISS131	DIODE		
D45 -52			RD13ES(B2)	ZENER DIODE		
D45 -52			HZ56.1N(B2)	ZENER DIODE		
D53 -56			RD5.1ES(B2)	ZENER DIODE		
D53 -56			HSS104	DIODE		
D58 ,59			HSS104	DIODE		
D58 ,59			ISS133	DIODE		
D60 ,61			HZ56.1N(B2)	ZENER DIODE		
D60 ,61			RD5.1ES(B2)	ZENER DIODE		
D62 ,63			HSS104	DIODE		
D62 ,63			ISS133	DIODE		
IC1			NJM2279D	IC(V10E0 IC)		
Q1 -6			2SC1845(F,E)	TRANSISTOR		
Q7			2SA992(F,E)	TRANSISTOR		
Q8			2SA1534A(R,S)	TRANSISTOR		
Q9 ,10			2SD2012	TRANSISTOR		
Q9 ,10			2SD2061	TRANSISTOR		
Q9 ,10			2SD2374	TRANSISTOR		
Q11			2SC1740S(Q,R)	TRANSISTOR		
Q11			2SC2785(F,E)	TRANSISTOR		
Q12			2SA1175(F,E)	TRANSISTOR		
Q12			2SA935(Q,R)	TRANSISTOR		
Q13			2SC1740S(Q,R)	TRANSISTOR		
Q13			2SC2785(F,E)	TRANSISTOR		
Q14			2SA1175(F,E)	TRANSISTOR		
Q14			2SA935(Q,R)	TRANSISTOR		
Q21 -23			2SC1740S(Q,R)	TRANSISTOR		
Q21 -23			2SC2785(F,E)	TRANSISTOR		
Q24			2SC1740S(Q,R)	TRANSISTOR		
Q24			2SC2785(F,E)	TRANSISTOR		
Q25			2SC3940A(R,S)	TRANSISTOR		
Q26			2SC2003(L,K)	TRANSISTOR		
Q31			2SA1175(F,E)	TRANSISTOR		
Q31			2SA935(Q,R)	TRANSISTOR		
Q32			2SC1740S(Q,R)	TRANSISTOR		
Q32			2SC2785(F,E)	TRANSISTOR		
Q33			2SC2785(F,E)	TRANSISTOR		
Q33			2SA1175(F,E)	TRANSISTOR		
Q34			2SA935(Q,R)	TRANSISTOR		
Q34			2SC1740S(Q,R)	TRANSISTOR		
Q34			2SC2785(F,E)	TRANSISTOR		
Q35 ,36			2SC1845(F,E)	TRANSISTOR		
Q37 ,38			2SA992(F,D)	TRANSISTOR		
Q39			2SA1175(F,E)	TRANSISTOR		
Q39			2SA935(Q,R)	TRANSISTOR		
Q40			2SC1740S(Q,R)	TRANSISTOR		

L:Scandinavia
K:USA
P:Canada
R:Mexico
S:Singapore made
T:England
E:Europe
G:Germany
W:Malaysia made
Y:PX(Far East, Hawaii)
X:Australia
M:Other Areas
4:KR-694
5:KR-V5560
6:KR-V6060
△ indicates safety critical components

* New Parts
Parts without Parts No. are not supplied.
Les articles non mentionnés dans le Parts No. ne sont pas fournis
Teile ohne Parts No. werden nicht geliefert.

Ref. No. 参照番号	Address 位置	New Parts 新	Parts No. 部品番号	Description 部品名 / 規格	Desti- nation 向	Re- marks 備考
R25 -28			RD14NB2E220J	RD	J 1/4W	
R29 ,30			FL-PR00F HS	FL-PR00F HS	J 2W	
R31 ,32			RD14NB2E4K7J	RD	J 1/4W	
R33 ,34			RD14NB2E100J	RD	J 1/4W	
R55 ,56			RD14NB2E332J	RD	J 1/4W	
R61			RS14NB3A561J	FL-PR00F RS	J 1W	
R62			RD	RD	J 1/4W	
R64 ,65			RD14NB2E470J	RD	J 1/4W	
R71			RS14KB3D151J	FL-PR00F RS	J 2W	
R76			RS14KB3D271J	FL-PR00F RS	J 2W	
R78 ,79			RS14KB3D271J	FL-PR00F RS	J 2W	
R80			RD14NB2E180J	RD	J 1/4W	
R81			RD	RD	J 1/4W	
R91 ,92			RD14NB2E482J	RD	J 1/4W	
R119			RD14NB2E470J	RD	J 1/4W	
R128			R92-1769-05	CARBON	J 1/2W	
R170 ,171			RD	RD	J 1/4W	
VR1 -4			FL-PR00F RS 390	FL-PR00F RS 390	J 1W	
K1 ,2			R12-1617-05	TRIMMING POT.(2.2K)		
K1 ,2			S51-2078-05	MAGNETIC RELAY		6
K1 ,2			S51-2092-05	MAGNETIC RELAY		6
K1 ,2			S76-0005-05	MAGNETIC RELAY		6
K1 ,2			S76-0005-05	MAGNETIC RELAY		4
K3			S76-0005-05	MAGNETIC RELAY		6
K4			S76-0016-05	MAGNETIC RELAY		6
K4			S76-0017-05	MAGNETIC RELAY		6
K5			S76-0009-05	MAGNETIC RELAY		6
S1			S31-2132-05	SLIDE SWITCH		
D1 -5			HSS104A	DIODE		
D1 -5			ISS131	DIODE		
D6			HZ55.1N(B2)	ZENER DIODE		
D6			RD5.1ES(B2)	ZENER DIODE		
D7			PS5BA20F03	DIODE		
D7			RBV-602LFA	DIODE		
D8			PS5BA20F03	DIODE		
D8			PS5BA20F03	DIODE		
D9 -12			68V-602LFA	DIODE		
D9 -12			3S6888	DIODE		
D13			1SR139-100	DIODE		
D13			HZ56.2N(B2)	ZENER DIODE		
D14			RD6.2ES(B2)	ZENER DIODE		
D14			HZ56.1N(B2)	ZENER DIODE		
D15			RD6.2ES(B2)	ZENER DIODE		
D15			HZ52.7N(B2)	ZENER DIODE		
D15			RD2.7ES(B2)	ZENER DIODE		
D16 ,17			S5688B	DIODE		
D16 ,17			1SR139-100	DIODE		
D18 ,19			HZ516N(B2)	ZENER DIODE		
D18 ,19			RD16ES(B2)	ZENER DIODE		
D21 -23			HSS104	DIODE		
D21 -23			ISS133	DIODE		
D24			HSS104	DIODE		
D24			ISS133	DIODE		
D25 -27			HSS104	DIODE		
D25 -27			ISS131	DIODE		
D28 ,29			HSS104A	DIODE		

L:Scandinavia
K:USA
P:Canada
R:Mexico
S:Singapore made
T:England
E:Europe
G:Germany
W:Malaysia made
Y:PX(Far East, Hawaii)
X:Australia
M:Other Areas
4:KR-694
5:KR-V5560
6:KR-V6060
△ indicates safety critical components

KR-694/V5560/V6060

PARTS LIST

No.13

* New Parts
Parts without Parts No. are not supplied.
Les articles non mentionnés dans le Parts No. ne sont pas fournis.
Teile ohne Parts No. werden nicht geliefert.

Ref. No. 参照番号	Address 位置	New Parts 新部品	Parts No. 部品番号	Description 部品名 / 規格	Desti- nation 向備考
C84			CK45FB1H471K	CERAMIC 470PF K	6
C85			CK45FB1H471K	CERAMIC 470PF K	
C86			CE04LW14470M	ELECTRO 470UF 10WV	
C91			CE04LW0J471M	ELECTRO 470UF 6.3WV	
C92	.93		CK45FF1H103Z	CERAMIC 0.010UF Z	
C95	.96		CE04LW1V100M	ELECTRO 10UF 35WV	
C99	.100		CE04ESL1H470J	CERAMIC 47PF J	
C101	.103		CK45FF1H103Z	CERAMIC 0.010UF Z	
C104	.105		CK45ESL1H221J	CERAMIC 220PF J	
C106			CK45FF1H473Z	CERAMIC 0.047UF Z	
J3			E03-0117-05	AC OUTLET	Y
J4			E70-0047-05	LOCK TERMINAL BOARD	
J5			E70-0046-05	LOCK TERMINAL BOARD	5
J6			E11-0127-05	PHONE JACK	4
J6			E11-0127-05	PHONE JACK	4
J6			E11-0190-05	PHONE JACK	6
J7			E63-0069-15	PHONE JACK	
J8			E11-0188-05	MINIATURE PHONE JACK(2P)	
J11	.12		E03-0108-05	AC OUTLET	ME
J11	.12		E03-0109-05	AC OUTLET	T
F1	.2		F05-3121-05	FUSE (SEMK0) (250V T3.15AL)	TEX
F1	.2		F05-3121-05	FUSE (SEMK0) (250V T3.15AL)	YM
F3			F05-2525-05	FUSE (SEMK0) (250V T2.5AL)	MTE
F6			F06-1022-05	FUSE (SEMK0) (250V T2.5AL)	
CMS	.6		J13-0075-05	FUSE CLIP	YM
CN7	.6		J13-0075-05	FUSE CLIP	MTE
CN9	.10		J13-0075-05	FUSE CLIP	
CN11	.12		J13-0075-05	FUSE CLIP	
J2			J11-0098-05	WIRE CLAMPER	
L1	-4		L39-0085-05	PHASE COMPENSATION COIL	YM
T1			L07-0865-05	POWER TRANSFORMER	TX
T1			L07-0866-05	POWER TRANSFORMER	E
T1			L07-0867-05	POWER TRANSFORMER	
J			N35-3008-46	BINDING HEAD MACHINE SCREW	
CP1	.2		R90-0840-05	RD 0.22 5W	4
CP3	.4		R90-0840-05	RD 0.22 5W	5
CP3	.4		R90-0840-05	RD 0.22 5W	6
CP3	.4		R90-0868-05	MULTIPLE RESISTOR	
R5	-8		R014NB2E220J	RD 22 J 1/4W	
R9	.10		RS14KB3D4R7J	FL-PR00F RS 4.7 J 2W	
R11	.12		R014NB2E100J	RD 10 J 1/4W	
R13	.14		R014NB2E332J	RD 3.3K J 1/4W	
R15	.16		R014NB2C112J	RD 1.1K J 1/6W	5
R15	.16		R014NB2C112J	RD 1.1K J 1/6W	4
R25	-28		R014NB2E220J	RD 22 J 1/4W	
R29	.30		RS14KB3D4R7J	FL-PR00F RS 4.7 J 2W	
R31	.32		R014NB2E100J	RD 10 J 1/4W	
R32	.34		R014NB2E332J	RD 3.3K J 1/4W	
R35	.36		R014NB2C112J	RD 1.1K J 1/6W	5
R35	.36		R014NB2C112J	RD 1.1K J 1/6W	4
R55	.56		RS14KB3A561J	FL-PR00F RS S60 J 1W	
R61			R014NB2E100J	RD 10 J 1/4W	
R62			R014NB2E470J	RD 47 J 1/4W	
R64	.65		RS14KB3D151J	FL-PR00F RS 150 J 2W	

No.12

* New Parts
Parts without Parts No. are not supplied.
Les articles non mentionnés dans le Parts No. ne sont pas fournis.
Teile ohne Parts No. werden nicht geliefert.

Ref. No. 参照番号	Address 位置	New Parts 新部品	Parts No. 部品番号	Description 部品名 / 規格	Desti- nation 向備考
Q40			25C2785(F,E)	TRANSISTOR	
Q41	.42		25C1845(F,E)	TRANSISTOR	
Q43	.44		25A992(F,E)	TRANSISTOR	6
Q101	.102		25D2228BT	TRANSISTOR	4
Q101	.102		25D2255BT	TRANSISTOR	4
Q101	.102		25D2255BT	TRANSISTOR	5
Q103	.104		25B1470BT	TRANSISTOR	6
Q103	.104		25B1495BT	TRANSISTOR	4
Q103	.104		25B1495BT	TRANSISTOR	4
Q103	.104		25C4137E19(V,H)	TRANSISTOR	5
Q105	.106		25D2255BT	TRANSISTOR	
Q107	.108		25B1495BT	TRANSISTOR	
Q109	.110		25C4137E19(V,H)	TRANSISTOR	
Q111	.112		25C4137E19(V,H)	TRANSISTOR	
MAIN AMP UNIT(X07-278X-XX) : Y,M,X,E,T type					
C1	.2		CC45FSL1H101J	CERAMIC 100PF J	
C3	.4		CK45FF1H103Z	CERAMIC 0.010UF Z	
C5	-8		CF92FH1032J	MF 0.22UF J	E
C7	.8		CQ92FM1H104J	MYLAR 0.10UF J	YMTX
C9	-12		CK45FF1H103Z	CERAMIC 0.010UF Z	
C13	-16		CF92FH1032J	MF 0.22UF J	E
C13	.14		CQ92FM1H104J	MYLAR 0.10UF J	YMTX
C17	.18		CK45FF1H103Z	CERAMIC 0.010UF Z	
C19	.20		CC45FSL1H561J	CERAMIC 560PF J	E
C21			CE04LW0J221M	ELECTRO 220UF 6.3WV	
C22			CE04LW1V4R7M	ELECTRO 4.7UF 35WV	
C31	.32		CK45FF1H103Z	CERAMIC 0.010UF Z	
C33	.34		C90-3538-05	ELECTRO 6800UF 71WV	6
C33	.34	*	C90-3538-05	ELECTRO 6800UF 71WV	4
C33	.34	*	C90-3538-05	ELECTRO 6800UF 63WV	5
C33	.34		C90-3538-05	ELECTRO 6800UF 63WV	
C35			CE04LW1J100M	ELECTRO 10UF 63WV	4
C35			CE04LW1J100M	ELECTRO 10UF 63WV	5
C35			CE04LW2A100M	ELECTRO 10UF 100WV	6
C36		*	CE04LW1J331M	ELECTRO 330UF 63WV	4
C36		*	CE04LW1J331M	ELECTRO 330UF 63WV	5
C36			CE04LW2A331M	ELECTRO 330UF 100WV	6
C39	.40		CK45FF1H102K	CERAMIC 1000PF K	
C41	-45		CE04LW1C470M	ELECTRO 47UF 16WV	
C46			CK45FF1H103Z	CERAMIC 0.010UF Z	
C47	.48		CK45FF2H104P	CERAMIC 0.010UF P	
C49			CK45FF1H103Z	CERAMIC 0.010UF Z	E
C50			CE04LW1J221M	ELECTRO 220UF 63WV	
C51			CE04LW1V100M	ELECTRO 10UF 35WV	
C52			CK45FF1H103Z	CERAMIC 0.010UF Z	E
C59			CF1-1488-05	MF 6800PF 250VAC	
C60			CK45FF1H103Z	CERAMIC 0.010UF Z	
C61			CE04LW1E331M	ELECTRO 330UF 25WV	
C62	.63		CE04LW14470M	ELECTRO 47UF 10WV	
C65			CE04LW1V4R7M	ELECTRO 4.7UF 35WV	
C70			CK45FF1H103Z	CERAMIC 0.010UF Z	
C71	-74		CK45FB1H102K	CERAMIC 4700PF K	
C75	-79		CK45FF1H472Z	CERAMIC 4700PF Z	E
C81			CK45FF1H472Z	CERAMIC 4700PF Z	
C83			CK45FF1H103Z	CERAMIC 0.010UF Z	

L:Scandinavia K:USA P:Canada R:Mexico S:Singapore made 4:KR-694
 Y:PX(Far East, Hawaii) T:England E:Europe G:Germany W:Malaysia made 5:KR-V5560
 Y:AAFE(S:Europe) X:Australia M:Other Areas 6:KR-V6060
 Δ indicates safety critical components

KR-694/V5560/V6060

PARTS LIST

No.15

* New Parts
Parts without Parts No. are not supplied.
Les articles non mentionnés dans le Parts No. ne sont pas fournis.
Teile ohne Parts No. werden nicht geliefert.

Ref. No. 参照番号	Address 位置	New Parts 新	Parts No. 部品番号	Description 部品名 / 規格	Desti- nation 国	Re- marks 備考
D37 -40			ISS133	DIODE		
D41 -44			HSS104A	DIODE		
D45 -52			ISS131	ZENER DIODE		
D53 -56			HZS13N(B2)	ZENER DIODE		
D58 -59			R013ES(B2)	ZENER DIODE		
D60 -61			HZS5-1N(B2)	ZENER DIODE		
D62 -63			R05-1ES(B2)	ZENER DIODE		
IC1			HSS104	DIODE		
Q1 -6			ISS133	DIODE		
Q7			NJM2279D	IC(VIDEO IC)		
Q8			25C1B45(F,E)	TRANSISTOR		
Q9 -10			25A992(F,E)	TRANSISTOR		
Q9 -10			25D2012	TRANSISTOR		
Q9 -10			25D2061	TRANSISTOR		
Q9 -10			25D2374	TRANSISTOR		
Q11			25C1740S(Q,R)	TRANSISTOR		6
Q12			25C2785(F,E)	TRANSISTOR		6
Q12			25A1175(F,E)	TRANSISTOR		6
Q13			25A935(Q,R)	TRANSISTOR		6
Q13			25C1740S(Q,R)	TRANSISTOR		6
Q14			25C2785(F,E)	TRANSISTOR		6
Q14			25A1175(F,E)	TRANSISTOR		6
Q21 -23			25A935(Q,R)	TRANSISTOR		6
Q21 -23			25C1740S(Q,R)	TRANSISTOR		6
Q24			25C2785(F,E)	TRANSISTOR		6
Q24			25A1175(F,E)	TRANSISTOR		6
Q25			25C3940A(R,S)	TRANSISTOR		6
Q26			25C2003(L,N)	TRANSISTOR		6
Q31			25A1175(F,E)	TRANSISTOR		6
Q31			25A935(Q,R)	TRANSISTOR		6
Q32			25C1740S(Q,R)	TRANSISTOR		6
Q32			25C2785(F,E)	TRANSISTOR		6
Q33			25A1175(F,E)	TRANSISTOR		6
Q33			25A935(Q,R)	TRANSISTOR		6
Q34			25C1740S(Q,R)	TRANSISTOR		6
Q34			25C2785(F,E)	TRANSISTOR		6
Q35 -36			25C1845(F,E)	TRANSISTOR		6
Q37 -38			25A992(F,E)	TRANSISTOR		6
Q39			25A1175(F,E)	TRANSISTOR		6
Q39			25A935(Q,R)	TRANSISTOR		6
Q40			25C1740S(Q,R)	TRANSISTOR		6
Q40			25C2785(F,E)	TRANSISTOR		6
Q41 -42			25C1845(F,E)	TRANSISTOR		6
Q43 -44			25A992(F,E)	TRANSISTOR		6
Q101 -102			25D2228T	TRANSISTOR		6
Q101 -102			25D2258T	TRANSISTOR		4
Q101 -102			25D2258T	TRANSISTOR		5
Q103 -104			25B14708T	TRANSISTOR		6
Q103 -104			25B14938T	TRANSISTOR		4

L:Scandinavia
Y:PX(Far East, Hawaii)
Y:AAFES(Europe)

K:USA
T:England
X:Australia

P:Canada
E:Europe
M:Other Areas

R:Mexico
G:Germany

S:Singapore made
W:Malaysia made

4:KR-694
5:KR-V5560
6:KR-V6060

△ indicates safety critical components

No.14

* New Parts
Parts without Parts No. are not supplied.
Les articles non mentionnés dans le Parts No. ne sont pas fournis.
Teile ohne Parts No. werden nicht geliefert.

Ref. No. 参照番号	Address 位置	New Parts 新	Parts No. 部品番号	Description 部品名 / 規格	Desti- nation 国	Re- marks 備考
R71			R014NB2E101J	RD		
R76			RS14KB30271J	100	J 1/4W	
R77			RS14KB30271J	270	J 2W	
R78 -79			RS14KB30271J	FL-PROOF RS	J 2W	E
R80			RD14NB2E180J	FL-PROOF RS	J 2W	
R81			RD14NB2E682J	18	J 1/4W	
R91 -92			RD14NB2E470J	6-8K	J 1/4W	
R128			RD14NB2E1R5J	47	J 1/4W	
R170,171			RS14KB3A391J	1.5	J 1/4W	
V81 -4			R12-1617-05	TRIMMING POT.(2.2K)	J 1W	
K1 -2			S51-2078-05	MAGNETIC RELAY		6
K1 -2			S51-2092-05	MAGNETIC RELAY		6
K1 -2			S76-0005-05	MAGNETIC RELAY		5
K1 -2			S76-0005-05	MAGNETIC RELAY		6
K3			S76-0005-05	MAGNETIC RELAY		4
K4			S76-0016-05	MAGNETIC RELAY		6
K4			S76-0017-05	MAGNETIC RELAY		6
K5			S76-0009-05	MAGNETIC RELAY		6
S1			S31-2132-05	SLIDE SWITCH		6
S2			S31-3010-05	SLIDE SWITCH		YM
D1 -5			HSS104A	DIODE		
D1 -5			ISS131	DIODE		
D6			HZS5-1N(B2)	ZENER DIODE		
D6			R05-1ES(B2)	ZENER DIODE		
D7			D5SBA20F03	DIODE		
D7			RBV-602LFA	DIODE		
D8			05SBA20F03	DIODE		
D8			RBV-602LFA	DIODE		
D9 -12			S56888	DIODE		
D9 -12			1SR139-100	DIODE		
D13			HZS6-2N(B2)	ZENER DIODE		
D13			R06-2ES(B2)	ZENER DIODE		
D14			HZS6-2N(B2)	ZENER DIODE		
D14			R06-2ES(B2)	ZENER DIODE		
D15			HZS2-7N(B2)	ZENER DIODE		
D15			R02-7ES(B2)	ZENER DIODE		
D16 -17			S56888	DIODE		
D16 -17			1SR139-100	DIODE		
D18 -19			HZS16N(B2)	ZENER DIODE		
D18 -19			RD16ES(B2)	ZENER DIODE		
D21 -23			HSS104	DIODE		
D21 -23			ISS133	DIODE		
D24			HSS104	DIODE		
D24			ISS133	DIODE		
D25 -27			HSS104	DIODE		
D25 -27			ISS133	DIODE		
D28 -29			HSS104A	DIODE		
D28 -29			ISS131	DIODE		
D30 -33			S56888	DIODE		
D30 -33			1SR139-100	DIODE		
D34			HZS6-2N(B2)	ZENER DIODE		
D34			R06-2ES(B2)	ZENER DIODE		
D35			HSS104	DIODE		
D37 -40			ISS133	DIODE		

L:Scandinavia
Y:PX(Far East, Hawaii)
Y:AAFES(Europe)

K:USA
T:England
X:Australia

P:Canada
E:Europe
M:Other Areas

R:Mexico
G:Germany

S:Singapore made
W:Malaysia made

4:KR-694
5:KR-V5560
6:KR-V6060

△ indicates safety critical components

KR-694/V5560/V6060

PARTS LIST

* New Parts
 Parts without Parts No. are not supplied.
 Les articles non répertoriés dans le Parts No. ne sont pas fournis.
 Teile ohne Parts No. werden nicht geliefert.

No.17

Ref. No. 参照番号	Address 位 置	Parts No. 部 品 番 号	Description 部 品 名 / 規 格	Distrib. 仕 向 備 考
C79	-82	CE04LW1V100M	ELECTR0 100F 35WV	
C83		CE04LW1A221M	ELECTR0 220PF 10WV	
C84		C092FM1H473J	MYLAR 0.47UF J	
C85		C092FM1H223J	MYLAR 0.022UF J	
C86		CE04LW1C470M	ELECTR0 47UF 16WV	
C87		CE04LW1A101M	ELECTR0 100UF 10WV	
C89		CA45BH102K	CERAMIC 1000PF K	
C91		CA45FC1H232	CERAMIC 0.022UF Z	
C92		CE04LW1C470M	ELECTR0 47UF 16WV	
C93		C092FM1H104J	MYLAR 0.10UF J	
C95		C91-0757-05	CERAMIC 1000PF K	
C96		CF92FV1H481J	MF 480PF J	
C97	98	CE04LW1V100M	ELECTR0 100F 35WV	
C99	100	CE04LW1H030M	ELECTR0 1.0UF 50WV	
C101	102	C91-0749-05	CERAMIC 220PF K	
C103	104	C91-0729-05	CERAMIC 22PF J	TE
C105	106	C91-0745-05	CERAMIC 100PF K	
C107	108	C91-0737-05	CERAMIC 47PF J	
C109	110	CE04LW1V100M	ELECTR0 100F 35WV	
C120		C91-0755-05	CERAMIC 680PF K	
C121	122	C91-0735-05	CERAMIC 39PF J	TE
C123	124	CE04LW1V100M	ELECTR0 100F 35WV	
C125	126	C91-0749-05	CERAMIC 220PF K	
C127	128	CE04LW1A101M	ELECTR0 100UF 10WV	
C129	130	C91-0757-05	CERAMIC 1000PF K	
C131	132	C092FM1H123J	MYLAR 0.012UF J	
C133	134	C092FM1H332J	MYLAR 3300PF J	
C135	136	CE04LW1V4R7M	ELECTR0 4.7UF 35WV	
C137	138	C91-0745-05	CERAMIC 100PF K	TE
C139		C093BP2A103J	MYLAR 0.010UF J	
C151		C90-3253-05	ELECTR0 1UF 50WV	
C152		CE04LW1H010M	ELECTR0 1.0UF 50WV	
C153	154	CA45FSL1H221J	CERAMIC 220PF J	
C155	158	CA45FSL1H101J	CERAMIC 100PF J	
C159		C90-3222-05	ELECTR0 100UF 10WV	
C160		CE04LW1A101M	ELECTR0 100UF 10WV	
C161	162	CA45FSL1H100D	CERAMIC 10PF D	
C163	164	CE04LW2A030M	ELECTR0 3.0UF 100WV	
C165	166	CA45FSL1H221J	CERAMIC 220PF J	
C167	168	CA45FSL1H020C	CERAMIC 2.0PF C	KPMXXR
C169	170	CA45FSL1H070C	CERAMIC 7.0PF C	TE
C171	172	CA45FSL2H330J	CERAMIC 33PF J	
C173		CE04LW1C470M	ELECTR0 47UF 16WV	
C175		CE04LW1C220M	ELECTR0 22UF 16WV	
C181	182	CE04LW1H010M	ELECTR0 1.0UF 50WV	
C183	184	CA45FSL1H221J	CERAMIC 220PF J	
C185	188	CA45FSL1H101J	CERAMIC 100PF J	
C189	190	CE04LW1A470M	ELECTR0 47UF 10WV	
C191	192	CA45FSL1H680J	CERAMIC 68PF J	
C193	194	CA45FSL1H221J	CERAMIC 220PF J	
C195	196	CA45FSL1H020C	CERAMIC 2.0PF C	
C197	198	CE04LW2H680J	CERAMIC 68PF J	
C200		CE04LW1C220M	ELECTR0 22UF 16WV	
C201	202	CE04LW1V100M	ELECTR0 100F 35WV	
C203	204	C092FM1H333J	MYLAR 0.033UF J	

L:Scandinavia
 Y:FX(Far East, Hawaii)
 Y:AFES(Europe)

K:USA
 F:England
 X:Australia

P:Canada
 E:Europe
 M:Other Areas

R:Mexico
 G:Germany

S:Singapore made
 W:Malaysia made

4:KR-694
 5:KR-V5560
 6:KR-V6060

△ indicates safety critical components

* New Parts
 Parts without Parts No. are not supplied.
 Les articles non répertoriés dans le Parts No. ne sont pas fournis.
 Teile ohne Parts No. werden nicht geliefert.

No.16

Ref. No. 参照番号	Address 位 置	Parts No. 部 品 番 号	Description 部 品 名 / 規 格	Distrib. 仕 向 備 考
Q103, 104		25B1493BT	TRANSISTOR	5
Q105, 106		25C4137F19(V, W)	TRANSISTOR	
Q107, 108		25D2255BT	TRANSISTOR	
Q109, 110		25B1493BT	TRANSISTOR	
Q111, 112		25C4137F19(V, W)	TRANSISTOR	
AUDIO UNIT(X09-394X-XX)				
C1	-4	C91-0749-05	CERAMIC 220PF K	TE
C5	6	C91-0749-05	CERAMIC 220PF K	TE
C7	8	C91-0749-05	CERAMIC 220PF K	TE
C9	10	C91-0749-05	CERAMIC 220PF K	TE
C11	12	C91-0749-05	CERAMIC 220PF K	TE
C13	14	C91-0749-05	CERAMIC 220PF K	TE
C15	16	CE04LW1H010M	ELECTR0 1.0UF 50WV	
C17	18	C91-0749-05	CERAMIC 220PF K	
C19	20	C91-0749-05	CERAMIC 220PF J	
C21	22	C91-0729-05	CERAMIC 22PF J	
C23	24	CE04LW1C20M	ELECTR0 22UF 16WV	
C25	26	CE04LW1C470M	ELECTR0 47UF 16WV	
C27	28	CA45FSL1H101J	CERAMIC 100PF J	
C29	30	CA45FSL1H472Z	CERAMIC 4700PF Z	
C30	31	CA45FF1H103Z	CERAMIC 0.010UF Z	
C32	33	CE04LW1C220M	ELECTR0 22UF 16WV	
C34		CA45FB1H102K	CERAMIC 1000PF K	
C41		C092FM1H103J	MYLAR 0.010UF J	
C42		C092FM1H222J	MYLAR 2200PF J	
C43		CE04LW1A221M	ELECTR0 220UF 10WV	
C44		C092FM1H333J	MYLAR 0.033UF J	
C45		C092FM1H452J	MYLAR 1500PF J	
C46		C092FM1H332J	MYLAR 0.033UF J	
C47		CF92FV1H105J	MF 1.0UF J	
C48		CE04LW1A221M	ELECTR0 220UF 10WV	
C49		CE04LW1V100M	ELECTR0 100F 35WV	
C50		CE04LW1H2R2M	ELECTR0 2.2UF 50WV	
C51		CE04LW1V100M	ELECTR0 100F 35WV	
C53		CE04LW1V100M	ELECTR0 100F 35WV	
C55		CF92FV1H824J	MF 0.82UF J	
C56		CF92FV1H474J	MF 0.47UF J	
C57		CE04LW1A470M	ELECTR0 47UF 10WV	
C58	59	C092FM1H104J	MYLAR 0.10UF J	
C60		CE04LW1H4R7M	ELECTR0 0.10UF 50WV	
C61		CE04LW1V4R7M	ELECTR0 4.7UF 35WV	
C62		CE04LW1H4R7M	ELECTR0 0.47UF 50WV	
C63		CE04LW1V4R7M	ELECTR0 4.7UF 35WV	
C64		CF92FV1H154J	MF 0.15UF J	
C65		CE04LW1H3R3M	ELECTR0 3.3UF 50WV	
C66	67	CF92FV1H154J	MF 0.15UF J	
C68		CE04LW1H3R3M	ELECTR0 3.3UF 50WV	
C69		CF92FV1H154J	MF 0.15UF J	
C70		CE04LW1V4R7M	ELECTR0 4.7UF 35WV	
C71		CE04LW1H4R7M	ELECTR0 0.47UF 50WV	
C72		CE04LW1V4R7M	ELECTR0 4.7UF 35WV	
C73		CE04LW1H4R7M	ELECTR0 0.47UF 50WV	
C74	75	C092FM1H104J	MYLAR 0.10UF J	
C76	77	CE04LW1H010M	ELECTR0 1.0UF 50WV	
C78		CE04LW1A221M	ELECTR0 220UF 10WV	

L:Scandinavia
 Y:FX(Far East, Hawaii)
 Y:AFES(Europe)

K:USA
 F:England
 X:Australia

P:Canada
 E:Europe
 M:Other Areas

R:Mexico
 G:Germany

S:Singapore made
 W:Malaysia made

4:KR-694
 5:KR-V5560
 6:KR-V6060

△ indicates safety critical components

KR-694/V5560/V6060

PARTS LIST

★ New Parts
Parts without Parts No. are not supplied.
Les articles non mentionnés dans le Parts No. ne sont pas fournis.
Teile ohne Parts No. werden nicht geliefert.

No.21

Ref. No. 参照番号	Address 位置	Parts No. 部品番号	Description 部品名 / 規格	Desti- nation 仕	Re- marks 備考
IC1		UPD78044CF-075	MI-COM IC	TE	
IC2		S-80740AL	IC(VOLTAGE DETECTOR).		
IC3		NJM4580D-D	IC(OP AMP X2)		
Q1 ,2		2SC1740S(Q,R)	TRANSISTOR		
Q1 ,2		2SC2785(F,E)	TRANSISTOR		
Q3		2SA1175(F,E)	TRANSISTOR	YM	
Q3		2SA933S(O,R)	TRANSISTOR	YM	
Q5 ,6		2SC1740S(Q,R)	TRANSISTOR		
Q5 ,6		2SC2785(F,E)	TRANSISTOR		
Q7		2SC1845(F,E)	TRANSISTOR		
Q8		DTA124BS	DIGITAL TRANSISTOR		
Q8		UN4112	TRANSISTOR		
Q9		DTC124BS	DIGITAL TRANSISTOR		
Q9		UN4212	TRANSISTOR		
A1		W02-1046-05	ELECTRIC CIRCUIT MODULE		
A1		W02-1153-05	ELECTRIC CIRCUIT MODULE		
A1		W02-1174-05	ELECTRIC CIRCUIT MODULE		

★ New Parts
Parts without Parts No. are not supplied.
Les articles non mentionnés dans le Parts No. ne sont pas fournis.
Teile ohne Parts No. werden nicht geliefert.

No.20

Ref. No. 参照番号	Address 位置	Parts No. 部品番号	Description 部品名 / 規格	Desti- nation 仕	Re- marks 備考
C7		C90-3211-05	ELECTRO		
C8		CE04L1H30M	33UF 6.3KV		
C9		C91-0769-05	33UF 50WV		
C10		C91-0765-05	0.02UF K		
C11		C91-0769-05	0.02UF N		
C11		C91-0769-05	0.01UF K		
C12 ,13		C092FM1H0233	0.022UF J		
C15		C90-3222-05	47UF 50WV		
C15		C90-3222-05	47UF 16WV		
C21 ,22		C91-0769-05	0.01UF K		
C21 ,22		CC40FSLH22J	220PF J		
C23 ,24		CE04L1H30M	3.3UF 50WV		
C25 ,26		C092FM1H0233	0.056UF J		
C27		CE04L1H010M	1.0UF 50WV		
C28		C90-3228-05	47UF 16WV		
C29 ,30		C91-0737-05	47PF J		
C31 ,32		C91-0754-05	560PF J		
C33		C90-3253-05	1UF 50WV		
C37 ,38		C90-3224-05	4.7UF 16WV		
C39		C90-3225-05	10UF 16WV		
C40		CE04L1V100M	10UF 35WV		
C41 ,42		CE92FV1H3933	MF		
C43 ,44		CE04L1E470M	47UF 25WV		
X1		178-0267-05	ELECTRO		
CP1		990-0492-05	RESONATOR (4.194MHZ)		
CP2		990-0832-05	MULTI-COMP 100KX8 J 1/6W		
CP4		990-0832-05	MULTI-COMP 4.7KX3 J 1/6W		
922 ,23		990-0856-05	MULTI-COMP 10KX5 J 1/6W		
869 ,70		9014NB2E221J	220 J 1/4W		
9014NB2E121J		120 J 1/4W			
VR1 ,2		R10-5076-05	POTENTIOMETER(100K X2)		
SI -35		SA0-1064-05	PUSH SWITCH	TE	
S36 -38		SA0-1064-05	PUSH SWITCH		
SA0		T99-0547-05	ENCODER (INPUT SELECTOR)		
D1 -20		HSS104	DIODE		
D1 -20		HSS133	DIODE		
D25		HZ56.2N(B2)	ZENER DIODE		
D25		RD6.2ES(B2)	ZENER DIODE		
D26		HZ52.7N(B2)	ZENER DIODE		
D27		RD2.7ES(B2)	ZENER DIODE		
D27		RD1.1ES(B2)	ZENER DIODE		
D32		HSS104	DIODE		
D32		HSS133	DIODE		
D33		HSS104	DIODE		
D33		HSS133	DIODE		
D34		HSS104	DIODE		
D34		HSS133	DIODE		
D35		HSS104	DIODE		
D35		HSS133	DIODE		
D36		HSS104	DIODE		
D36		HSS133	DIODE		
E01		11-MT-926K	INDICATOR TUBE		
IC1		UPD780436P-073	MI-COM IC	KPYMXR	6

L:Scandinavia K:USA P:Canada R:Mexico S:Singapore made 4:KR-694
 Y:FX(Far East, Hawaii) T:England E:Europe G:Germany W:Malaysia made 5:KR-V5560
 Y:AFES(Europe) X:Australia M:Other Areas 6:KR-V6060
 △ indicates safety critical components

KR-694/V5560/V6060

SPECIFICATIONS

For U.S.A and Canada (KR-694/V5560)

Audio section

Rated power output at the STEREO operation

70 watts per channel minimum RMS, both channels driven at 8 Ω, from 20 Hz to 20,000 Hz with no more than 0.06 % total harmonic distortions. (FTC)

Power output at the Surround operation

Front (1 kHz, 0.9 % T.H.D. at 8 Ω) 70 W + 70 W
Center (1 kHz, 0.9 % T.H.D. at 8 Ω) 70 W
Rear (1 kHz, 0.9 % T.H.D. at 8 Ω) 20 W + 20 W

Total harmonic distortion (1 kHz, 8 Ω) 0.03 % at 50 W

Signal to noise ratio (IHF A)

PHONO (MM) 75 dB
CD, TAPE, VIDEO 100 dB

Input sensitivity / impedance

PHONO (MM) 2.5 mV / 47 kΩ
CD, TAPE, VIDEO 200 mV / 47 kΩ

Tone controls

BASS ± 10 dB (at 100 Hz)
TREBLE ± 10 dB (at 10 kHz)
Loudness control at - 30 dB level + 6 dB (100 Hz)

Video section

VIDEO inputs / outputs (Composite) 1 Vp - p / 75 Ω

FM Tuner section

Tuning frequency range 87.5 MHz ~ 108 MHz
Usable sensitivity (IHF) 13.2 dBf (1.2 μV at 75 Ω)
50 dB quieting sensitivity
STEREO 41.2 dBf (3.2 μV at 75 Ω)
Total harmonic distortion at 1 kHz
MONO 0.6 %
STEREO 0.7 %
Signal to noise ratio at 65 dBf (IHF)
MONO 75 dB
STEREO 68 dB
Selectivity (IHF ± 400 kHz) 50 dB
Stereo separation (IHF at 1 kHz) 40 dB
Frequency response 30 Hz ~ 15 kHz, + 0.5 dB, - 3.0 dB

AM Tuner section

Tuning frequency range 530 kHz ~ 1,700 kHz
Usable sensitivity 12 μV / (500 μV / m)
Total harmonic distortion 0.7 %
Signal to noise ratio 48 dB
Selectivity 30 dB

General

Power consumption 3 A
AC outlet
SWITCHED 2: (total 200 W, 1.6 A max.)
Dimensions W:440 mm (17-5/16")
H:143 mm (5-5/8")
D:334 mm (13-1/8")
Weight (net) 9.5 kg (20.9 lb)

For other countries(KR-694/V5560)

Audio section

Rated power output at the STEREO operation

(EIAJ) 1 kHz, 10 % T.H.D., at 8 Ω 100 W + 100 W
(IHF '66) from 20 Hz to 20 kHz,
0.06% T.H.D., at 8 Ω 70 W + 70 W

Power output at the Surround operation

Front (1 kHz, 0.9 % T.H.D. at 8 Ω) 70 W + 70 W
Center (1 kHz, 0.9 % T.H.D. at 8 Ω) 70 W
Rear (1 kHz, 0.9 % T.H.D. at 8 Ω) 20 W + 20 W

Total harmonic distortion (1 kHz, 8 Ω) 0.03 % at 50 W

Signal to noise ratio (IHF'66)

PHONO (MM) 75 dB
CD, TAPE, VIDEO 100 dB

Input sensitivity / impedance

PHONO (MM) 2.5 mV / 47 kΩ
CD, TAPE, VIDEO 200 mV / 47kΩ

Tone controls

BASS ± 10 dB (at 100 Hz)
TREBLE ± 10 dB (at 10 kHz)
Loudness control at - 30 dB level + 6 dB (100 Hz)

Video section

VIDEO inputs / outputs (Composite) 1 Vp - p / 75 Ω

FM Tuner section

Tuning frequency range 87.5 MHz ~ 108 MHz
Usable sensitivity (IHF) 13.2 dBf (1.2 μV at 75 Ω)
50 dB quieting sensitivity
STEREO 41.2 dBf (3.2 μV at 75 Ω)
Total harmonic distortion at 1 kHz
MONO 0.6 %
STEREO 0.7 %
Signal to noise ratio at 65 dBf (IHF)
MONO 75 dB
STEREO 68 dB
Selectivity (IHF ± 400 kHz) 50 dB
Stereo separation (IHF at 1 kHz) 40 dB
Frequency response 30 Hz ~ 15 kHz, + 0.5 dB, - 3.0 dB

AM Tuner section

Tuning frequency range
9 kHz 531 kHz ~ 1,602 kHz
10 kHz 530 kHz ~ 1,610 kHz
Usable sensitivity 12 μV / (500 μV / m)
Total harmonic distortion 0.7 %
Signal to noise ratio 48 dB
Selectivity 30 dB

General

Power consumption 260 W
AC outlet
SWITCHED 2: (total 200 W max.)
(Except for Australia)
Dimensions W:440 mm
H:143 mm
D:334 mm
Weight (net) 9.5 kg

Note : KENWOOD follows a policy of continuous advancements in development. For this reason specifications may be changed without notice.

KR-694/V5560/V6060

SPECIFICATIONS

U.S.A., Mexico and Canada(KR-V6060)

Audio section

Rated power output at the STEREO operation

100 watts per channel minimum RMS, both channels driven at 8 Ω, from 20 Hz to 20,000 Hz with no more than 0.06% total harmonic distortions. (FTC)

Power output at the Surround operation

Front (1 kHz, 0.9% T.H.D. at 8 Ω) 70 W + 70 W
Center (1 kHz, 0.9% T.H.D. at 8 Ω) 70 W
Rear (1 kHz, 0.9% T.H.D. at 8 Ω) 20 W + 20 W

Total harmonic distortion (1 kHz, 8 Ω) 0.03% at 50 W

Signal to noise ratio (IHF A)

PHONO (MM) 75 dB
CD, TAPE, VIDEO 100 dB

Input sensitivity / impedance

PHONO (MM) 2.5 mV / 47 kΩ
CD, TAPE, VIDEO 200 mV / 47 kΩ

Tone controls

BASS ±10 dB (at 100 Hz)
TREBLE ±10 dB (at 10 kHz)
Loudness control at - 30 dB level + 8 dB (100 Hz)

Video section

VIDEO inputs / outputs(Composite) 1 Vp-p / 75 Ω

FM Tuner section

Tuning frequency range 87.5 MHz~108 MHz
Usable sensitivity (IHF) 13.2 dBf (1.2 μV at 75 Ω)
50 dB quieting sensitivity
STEREO 41.2 dBf (3.2 μV at 75 Ω)
Total harmonic distortion at 1 kHz
MONO 0.6%
STEREO 0.7%
Signal to noise ratio at 65 dBf (IHF)
MONO 75 dB
STEREO 68 dB
Selectivity (IHF ±400 kHz) 50 dB
Stereo separation (IHF at 1 kHz) 40 dB
Frequency response 30 Hz~15 kHz, +0.5 dB,- 3.0 dB

AM Tuner section

Tuning frequency range 530 kHz~1,700 kHz
Usable sensitivity 12 μV / (500 μV / m)
Total harmonic distortion 0.7 %
Signal to noise ratio 48 dB
Selectivity 30 dB

General

Power consumption 3 A
AC outlet
SWITCHED 2: (total 200 W, 1.6 A max.)
Dimensions W: 440 mm (17-5/16")
H: 143 mm (5-5/8")
D: 334 mm (13-1/8")
Weight (net) 9.5 kg (20.9 lb)

Other countries(KR-V6060)

Audio section

Rated power output at the STEREO operation

(EIAJ) 1 kHz, 10 % THD at 8 Ω 135 W + 135 W
(IHF '66) from 20 Hz to 20 kHz,
0.06% T.H.D., at 8 Ω 100 W + 100 W

Power output at the Surround operation

Front (1 kHz, 0.9% T.H.D. at 8 Ω) 70 W + 70 W
Center (1 kHz, 0.9% T.H.D. at 8 Ω) 70 W
Rear (1 kHz, 0.9% T.H.D. at 8 Ω) 20 W + 20 W

Total harmonic distortion (1 kHz, 8 Ω) 0.03% at 50 W

Signal to noise ratio (IHF'66)

PHONO (MM) 75 dB
CD, TAPE, VIDEO 100 dB

Input sensitivity / impedance

PHONO (MM) 2.5 mV / 47 kΩ
CD, TAPE, VIDEO 200 mV / 47kΩ

Tone controls

BASS ±10 dB (at 100 Hz)
TREBLE ±10 dB (at 10 kHz)
Loudness control at - 30 dB level + 8 dB (100 Hz)

Video section

VIDEO inputs / outputs(Composite) 1 Vp-p / 75 Ω

FM Tuner section

Tuning frequency range 87.5 MHz~108 MHz
Usable sensitivity (IHF) 13.2 dBf (1.2 μV at 75 Ω)
50 dB quieting sensitivity
STEREO 41.2 dBf (3.2 μV at 75 Ω)
Total harmonic distortion at 1 kHz
MONO 0.6 %
STEREO 0.7 %
Signal to noise ratio at 65 dBf (IHF)
MONO 75 dB
STEREO 68 dB
Selectivity (IHF ± 400 kHz) 50 dB
Stereo separation (IHF at 1 kHz) 40 dB
Frequency response 30 Hz ~ 15 kHz, + 0.5 dB, - 3.0 dB

AM Tuner section

Tuning frequency range
9 kHz 531 kHz ~ 1,602 kHz
10 kHz 530 kHz ~ 1,610 kHz
Usable sensitivity 12 μV / (500 μV / m)
Total harmonic distortion 0.7 %
Signal to noise ratio 48 dB
Selectivity 30 dB

General

Power consumption 260 W
AC outlet
SWITCHED 2: (total 200 W max.)
(Except for Australia)
Dimensions W: 440 mm
H: 143 mm
D: 334 mm
Weight (net) 9.5 kg

Note : KENWOOD follows a policy of continuous advancements in development. For this reason specifications may be changed without notice.

KR-694/V5560/V6060

KENWOOD CORPORATION

Alive Mitake, 2-5, 1-chome Shibuya, Shibuya-ku, Tokyo 150, Japan

KENWOOD SERVICE CORPORATION

P.O. BOX 22745, 2201 East Dominguez St., Long Beach, CA 90801-5745, U.S.A.

KENWOOD ELECTRONICS CANADA INC.

6070 Kestrel Road, Mississauga, Ontario, Canada L5T 1S8

KENWOOD ELECTRONICS LATIN AMERICA S.A.

P.O. BOX 55-2791, Piso 6 Plaza Chase, Cl. 47 y Aquilino de la Guardia, Panama, Republic de Panama

TRIO-KENWOOD U.K. LIMITED

Kenwood House, Dwight Road, Watford, Herts, WD1 8EB, United Kingdom

KENWOOD ELECTRONICS BENELUX N.V.

Mecheisesteenweg 418 B-1930 Zaventem, Belgium

KENWOOD ELECTRONICS DEUTSCHLAND GMBH

Rembrücker Str. 15, 63150 Heusenstamm, Germany

TRIO-KENWOOD FRANCE S.A.

13 Boulevard Ney, 75018 Paris, France

KENWOOD ELECTRONICS ITALIA S.p.A.

Via G. Sirtori, 7/9 20129 Milano, Italy

KENWOOD ESPANA S.A.

Bolivia, 239-08020 Barcelona, Spain

KENWOOD ELECTRONICS AUSTRALIA PTY. LTD. (A.C.N. 00: 499 074)

PO BOX 504, 8 Figtree Drive, Australia Centre, Homebush, N.S.W. 2140, Australia

KENWOOD & LEE ELECTRONICS, LTD.

Unit 3712-3724, Level 37 Tower 1, Metroplaza, 223 Hing Fong Road,

Kwai Fong N.T. Hong Kong

KENWOOD ELECTRONICS SINGAPORE PTE LTD

No. 1 Genting Lane #07-00, Singapore, 1334